

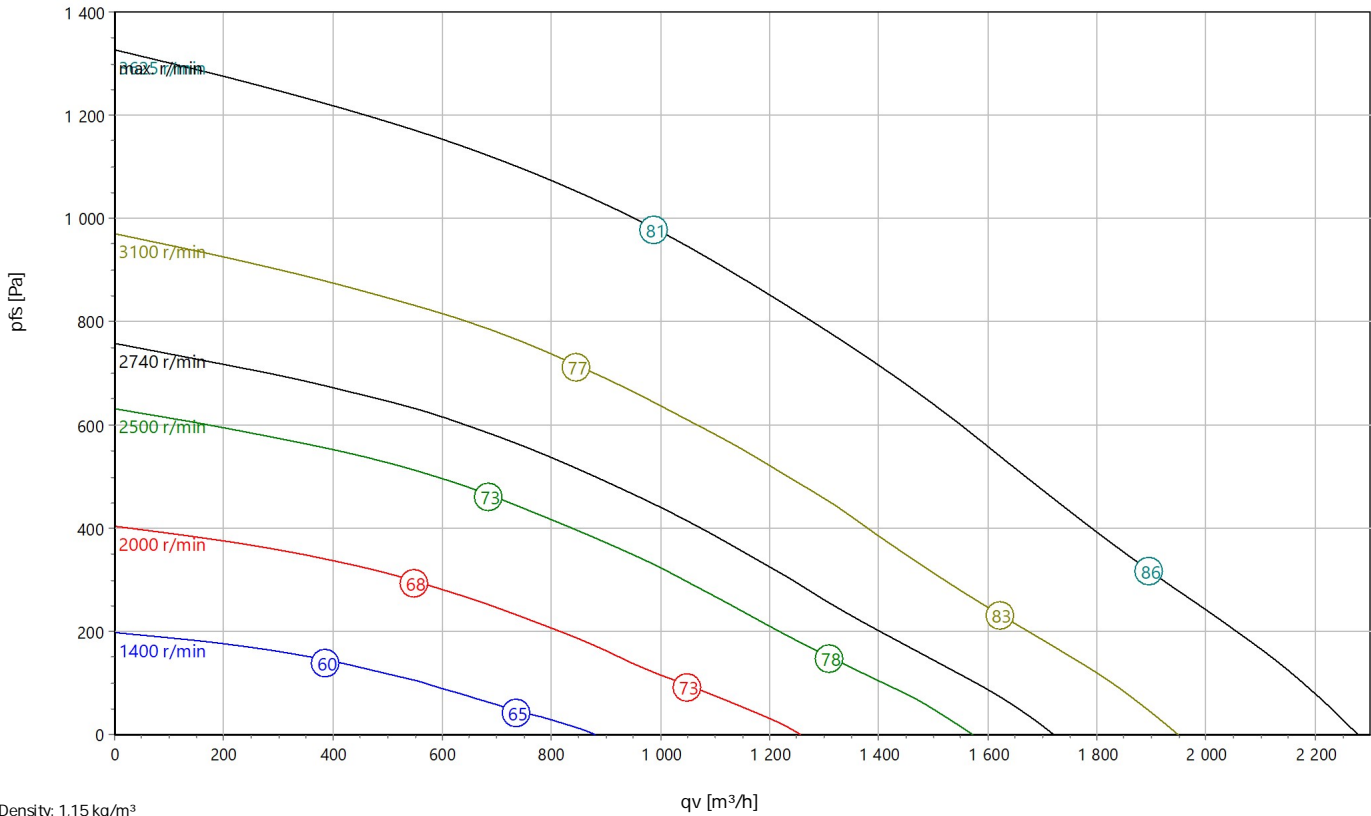
Centrifugal Fan

Type: **EHND 225 LG**

Art.-No.: B38-22520



Curve:



ErP-Data:

Type:	Lot11	
q _v	824	m ³ /h
p _f	526	Pa
η _{ed,tot}	49,2	%
P _{ed}	0,286	kW
n	2740	r/min
N	59	

Nominal Data:

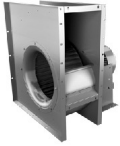
U [V]	f [Hz]	P _o [kW]	I _N [A]	n _N [r/min]	C [μF]	t _R [°C]	k ₁₀ [m ² s/h]	I _A / I _N	IP	m [kg]
230/400	50	0,55	1,3	2740	-	0	-	-	IP55	16,5

Motor Data:

Art.-No.	Manufacturer	Size	Poles	Eff.-Rating	Design	Mot.Prot.	[%]	Ø [mm]	m [kg]
MCDS07101011	AC	71	2	<0,75kw	B3	KL	73	14	6

Sound Data:

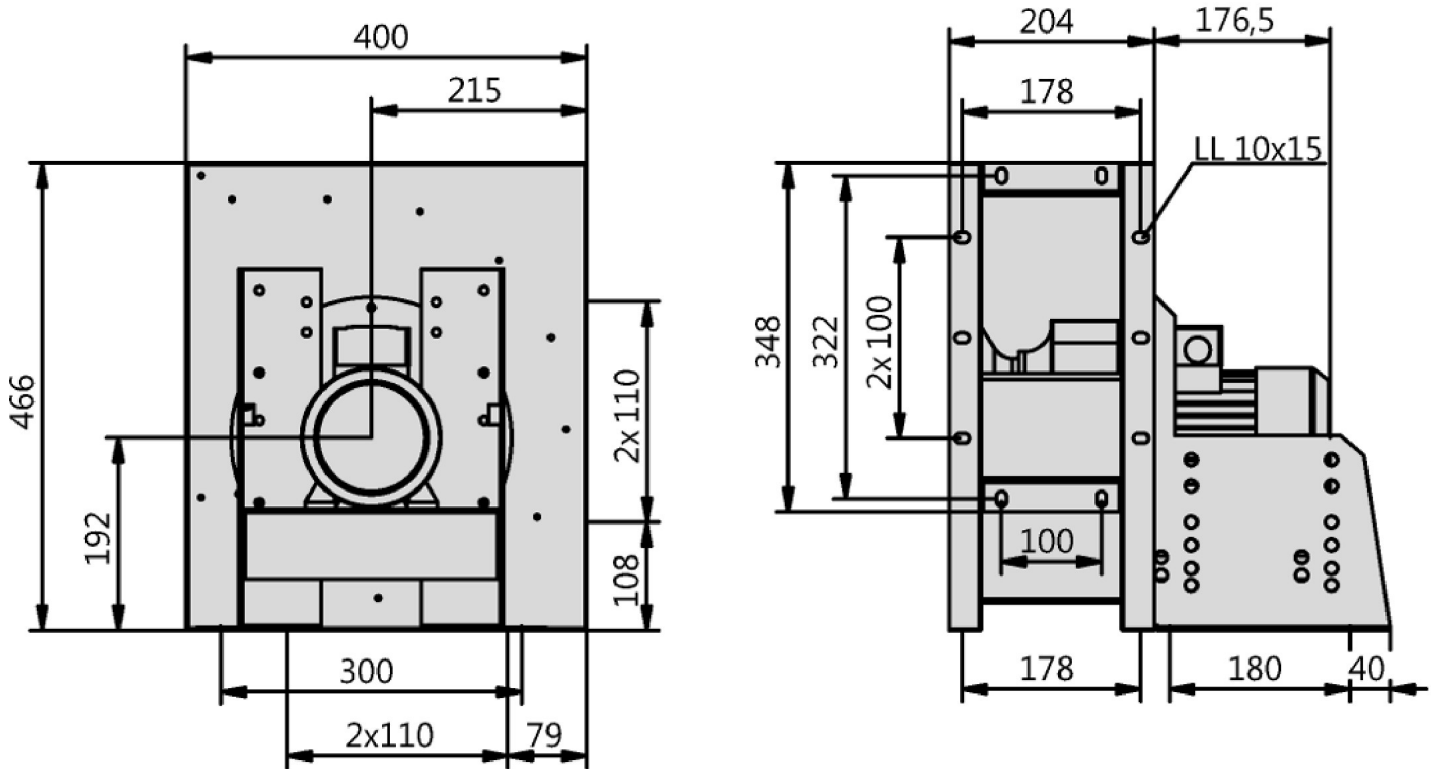
Frequency		125Hz	250Hz	500Hz	1KHz	2KHz	4KHz	8KHz	Distances	1 m	4 m
LwA(A,in) [dB(A)]	-3	-23	-11	-4	-5	-9	-13	-21	LpA(A,in) [dB(A)]	-10	-20
LwA(A,out) [dB(A)]		-26	-13	-6	-5	-5	-12	-22	LpA(A,out) [dB(A)]	-7	-17



Centrifugal Fan

Type: **EHND 225 LG**

Art.-No.: B38-22520



AC-Centrifugal Fan single inlet

in scroll casing with backward curved impeller

Impeller made of aluminum (AlMg3) with backward curved blades. Fluidic optimized inlet cone made of galvanized sheet metal. Fluidic optimized scroll casing made from galvanised sheet metal. Single inlet. Stands respectively casing mountable in all 90° positions. Motorized Impeller statically and dynamically balanced according to DIN ISO 21940-11 at least with quality level G6.3. Tender Text of the motor added below.

Fan complies with the guidelines required (Machinery-, EMC- and Low Voltage Directive) to comply with installation and conformity declaration as well as CE marking. UL approval available on request.

Nominal Data:

Voltage [U]

230/400 V

Frequency [f]

50 Hz

Input power [P]

0,55 kW

Current [I]

1,3 A

Speed [n]

2740 r/min

Protection Mode

IP55

Weight [m]

16,5 kg

Dimensions [L / W / H]

400 mm / 430 mm / 470 mm

Contact:

Rosenberg Ventilatoren GmbH

Maybachstraße 1

D - 74653 Künzelsau - Gaisbach

www.rosenberg-gmbh.com

Type:

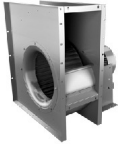
EHND 225 LG

Article-No.:

B38-22520

IEC Motor

IEC motor according to EN 60034 (IEC 60072). Applicable for use with Variable Frequency Drive (VFD). Positive Temperature Coefficient (PTC) thermistor standard. Protection class IP55. 50/60Hz operation possible. Isolation class F.



Centrifugal Fan

Type: **EHND 225 LG**

Art.-No.: B38-22520



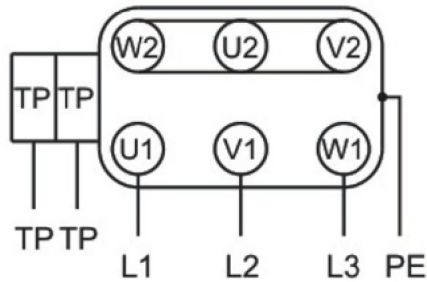
Drehstromnormmotor mit Temperaturfühler (TP).
Drehrichtungsänderung durch Vertauschen von 2 Phasen.

**Three phase IEC motor with temperature sensor (TP).
Changing of rotation by interchanging or 2 phases.**

**IEC moteur triphasé avec sonde de température (TP).
Changement du sens de rotation par inversion de deux phases.**

TK3-20XXX

Y- Schaltung
star-connection
Commutation étoile



TP Temperaturfühler / temperature sensor /
sonde de température

01.430