



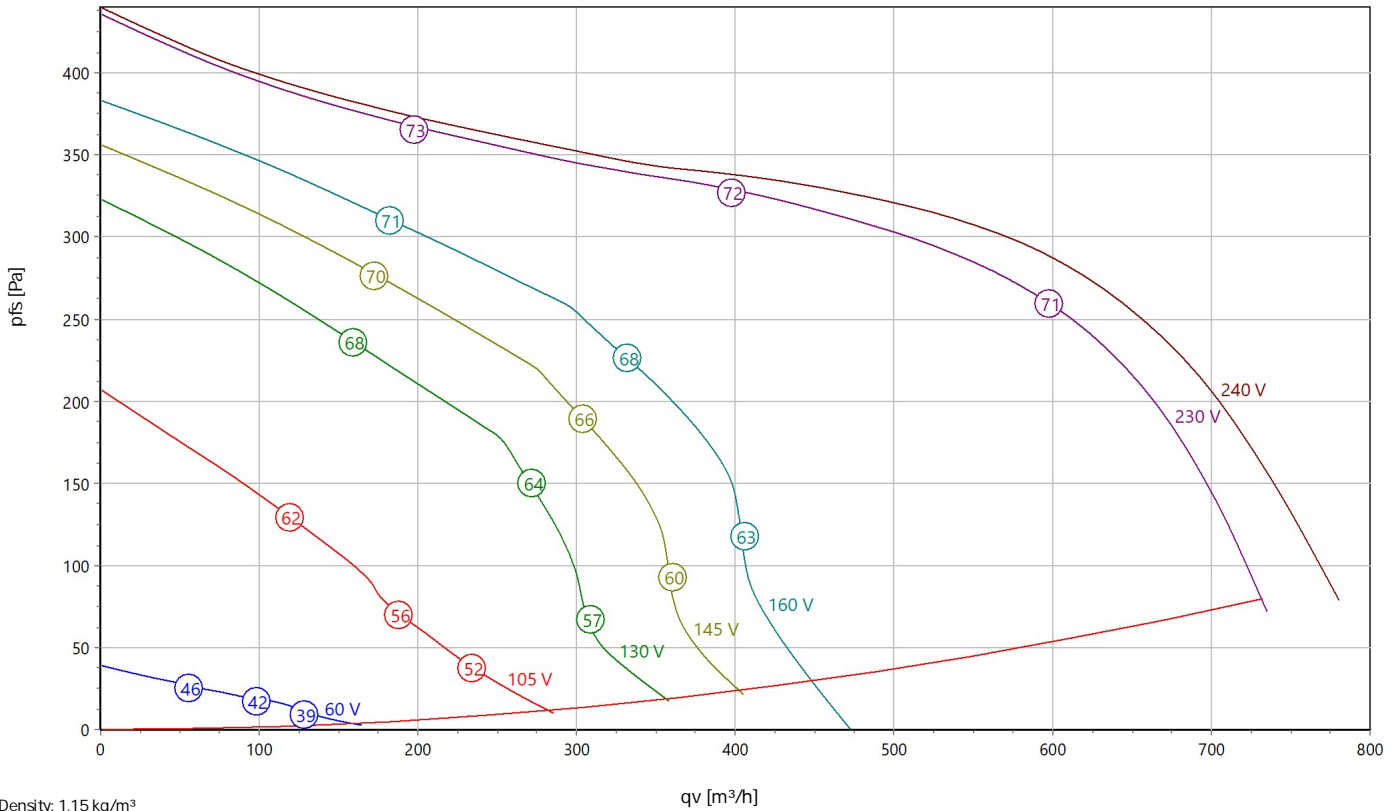
Centrifugal Fan

Type: **DRAE 133-2 3DF**

Art.-No.: C50-13304



Curve:



ErP-Data:

Type:	Lot11	
q _v	0	m ³ /h
p _{fs}	0	Pa
η _{e,fs}	32,6	%
P _e	0	kW
n	0	r/min
N	40	

Nominal Data:

U [V]	f [Hz]	P _e [kW]	I _N [A]	n _N [r/min]	C [μF]	t _R [°C]	p _{fs,min} [Pa]	I _A / I _N	IP	m [kg]
230	50	0,23	1,02	1905	4	60	100	1,25	IP 44	4

Sound Data:

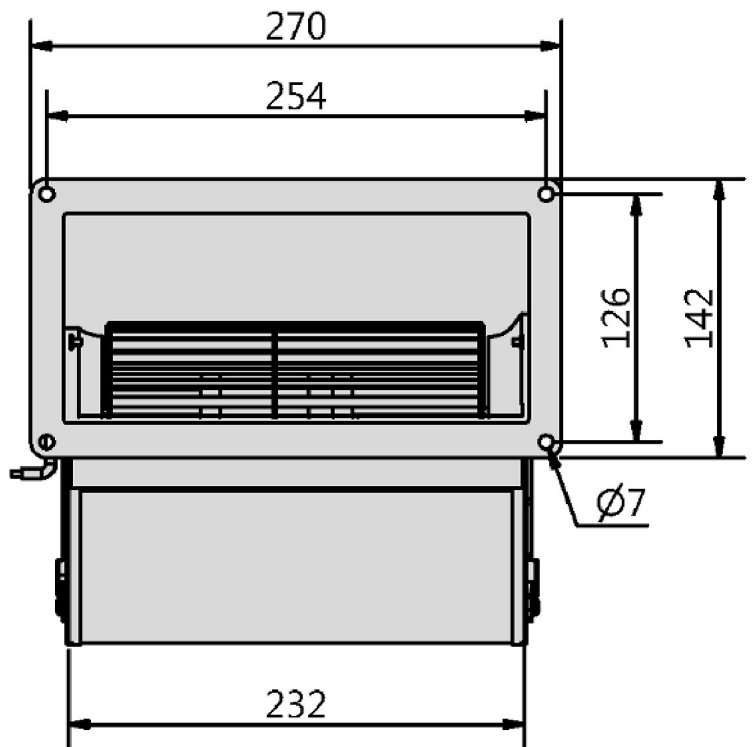
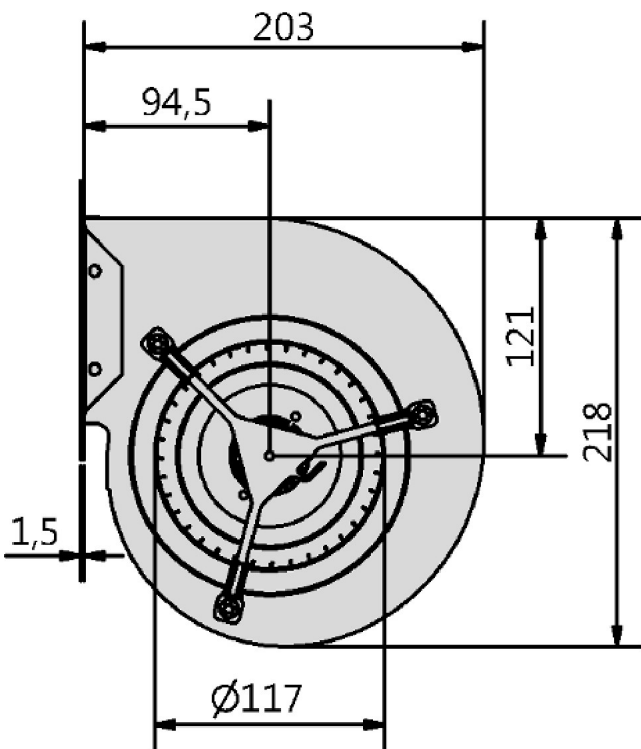
Frequency		125Hz	250Hz	500Hz	1KHz	2KHz	4KHz	8KHz	Distances	1 m	4 m
L _{wA} (B,in) [dB(A)]	-2	-22	-14	-12	-9	-10	-11	-19	L _{pA} (B,in) [dB(A)]	-9	-19
L _{wA} (B,out) [dB(A)]		-22	-13	-7	-4	-7	-9	-17	L _{pA} (B,out) [dB(A)]	-7	-17



Centrifugal Fan

Type: **DRAE 133-23DF**

Art.-No.: C50-13304



AC-Centrifugal Fan double inlet

in scroll casing with forward curved impeller

Double inlet impeller made of galvanized steel sheet with forward curved blades. Due to the high number of blades results in a sound optimized and at the same time compact design. Fluidic optimized scroll casing made from galvanised sheet metal. Double inlet. Stands respectively casing mountable in all 90° positions. Motorized Impeller statically and dynamically balanced according to DIN ISO 21940-11 with quality level G2.5. Voltage controllable AC external rotor motor. Maintenance free ball bearings, closed on both sides with long-term lubrication. Motor coated black and/or die casted aluminum. Standard configuration with cable. Motor protection is guaranteed by thermal contacts, which are inlaid into the motor windings. These contacts protect the motor from being overloaded through phase failure, too high medium temperature or locked rotor. Isolation Class F.

Fan complies with the guidelines required (Machinery-, EMC- and Low Voltage Directive) to comply with installation and conformity declaration as well as CE marking. Standard version with UL approval.

Nominal Data:

Voltage [U]

230 V

Frequency [f]

50 Hz

Input power [P]

0,23 kW

Current [I]

1,02 A

Speed [n]

1905 r/min

Medium temperature [tR]

60 °C

Protection Mode

IP 44

Weight [m]

4 kg

Dimensions [L / W / H]

203 mm / 270 mm / 218 mm

Contact:

Rosenberg Ventilatoren GmbH

Maybachstraße 1

D - 74653 Künzelsau - Gaisbach

www.rosenberg-gmbh.com

Type:

DRAE 133-2.3DF

Article-No.:

C50-13304



Centrifugal Fan

Type: **DRAE 133-2.3DF**

Art.-No.: C50-13304

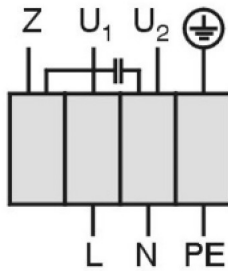


Einphasenwechselstrommotor mit Betriebskondensator und Thermostatschalter.
Thermostatschalter intern mit der Wicklung in Reihe geschaltet.

Single phase A.C. motor with operating capacitor and thermostatic switch.
Thermostatic switch internal wired in series with windings.

*Moteur monophasé avec condensateur permanent et interrupteur
thermostatique en série avec le bobinage en cas de branchement*

TK3-20005



U₁ blau / blue / bleu
 U₂ schwarz / black / noir
 Z braun / brown / brun
 PE gelb-grün
 yellow-green
 jaun-vert

01.009