



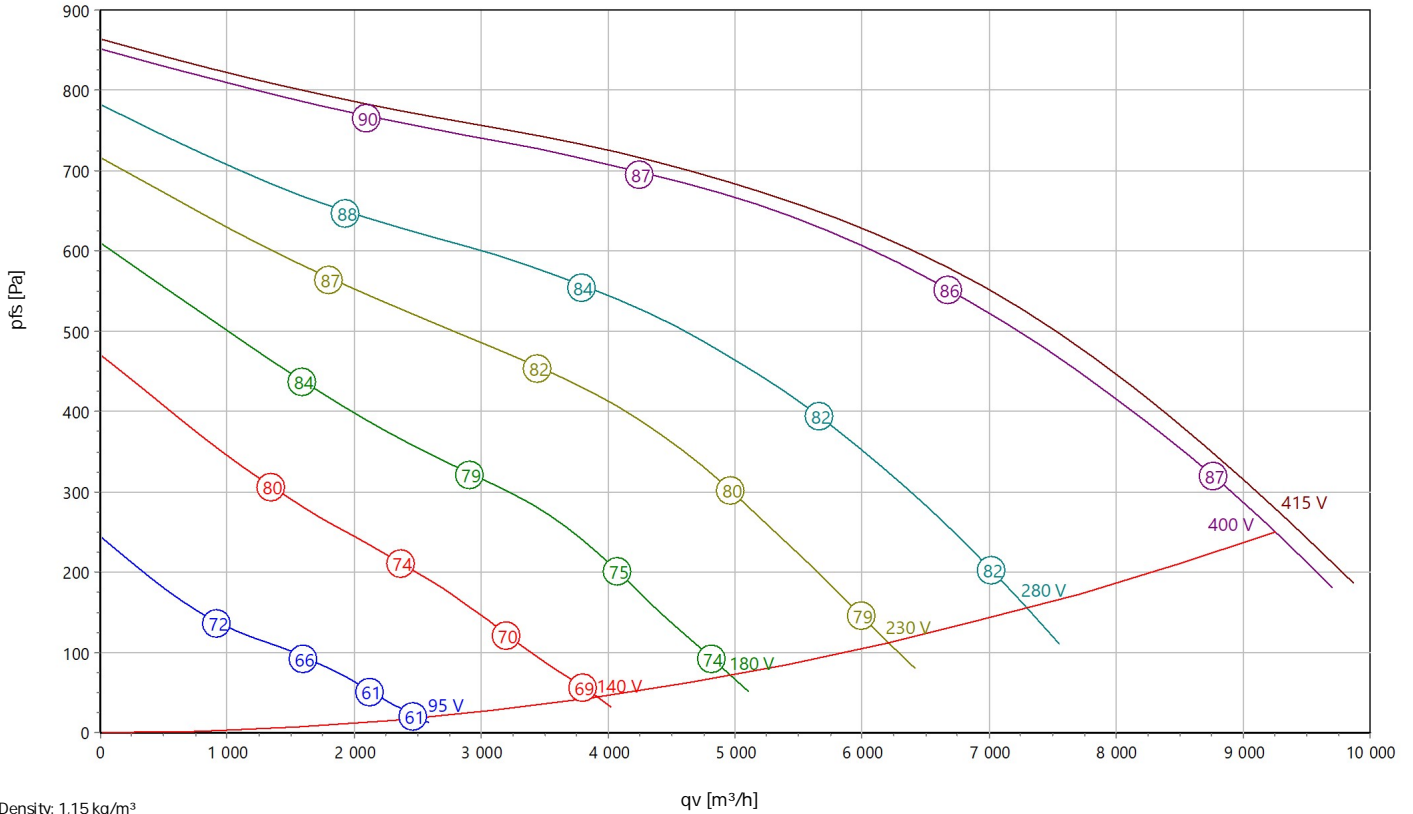
Centrifugal Fan

Type: **DRAD 316-4 L.6SA IP10**

Art.-No.: C50-31643



**Curve:**



**ErP-Data:**

Type:	Lot11	
q <sub>v</sub>	5091	m <sup>3</sup> /h
p <sub>fs</sub>	693	Pa
η <sub>e,fs</sub>	40,5	%
P <sub>e</sub>	2,42	kW
n	1303	r/min
N	44	

**Nominal Data:**

U [V]	f [Hz]	P <sub>e</sub> [kW]	I <sub>N</sub> [A]	n <sub>N</sub> [r/min]	C [μF]	t <sub>R</sub> [°C]	p <sub>fs,min</sub> [Pa]	I <sub>A</sub> / I <sub>N</sub>	IP	I	m [kg]
400D	50	4,35	7,1	1090	-	40	260	2,3	IP 10	8%	57

**Sound Data:**

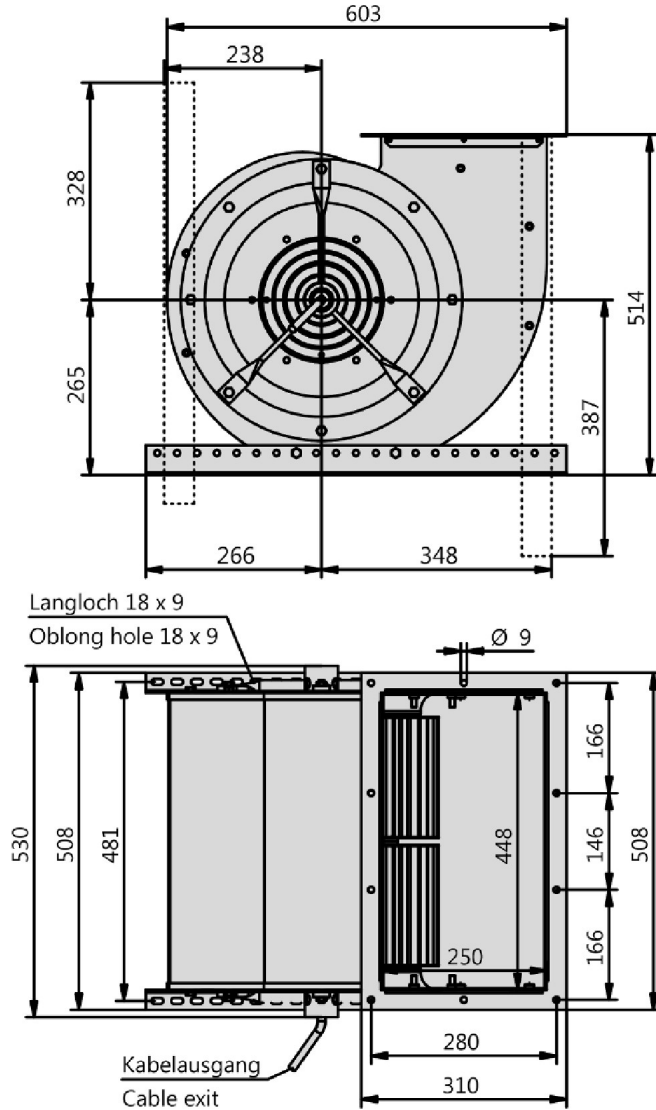
Frequency		125Hz	250Hz	500Hz	1KHz	2KHz	4KHz	8KHz	Distances	1 m	4 m
L <sub>wA</sub> (B,in) [dB(A)]	-4	-24	-19	-15	-8	-9	-13	-18	L <sub>pA</sub> (B,in) [dB(A)]	-11	-21
L <sub>wA</sub> (B,out) [dB(A)]		-23	-15	-9	-4	-6	-8	-15	L <sub>pA</sub> (B,out) [dB(A)]	-7	-17



Centrifugal Fan

Type: **DRAD 316-4 L.6SA IP10**

Art.-No.: C50-31643



### **AC-Centrifugal Fan double inlet**

in scroll casing with forward curved impeller

Double inlet impeller made of galvanized steel sheet with forward curved blades. Due to the high number of blades results in a sound optimized and at the same time compact design. Fluidic optimized scroll casing made from galvanised sheet metal. Double inlet. Stands respectively casing mountable in all 90° positions. Motorized Impeller statically and dynamically balanced according to DIN ISO 21940-11 with quality level G2.5. Voltage controllable AC external rotor motor. Maintenance free ball bearings, closed on both sides with long-term lubrication. Motor coated black and/or die casted aluminum. Standard configuration with cable. Motor protection is guaranteed by thermal contacts, which are inlaid into the motor windings. These contacts protect the motor from being overloaded through phase failure, too high medium temperature or locked rotor. Isolation Class F.

Fan complies with the guidelines required (Machinery-, EMC- and Low Voltage Directive) to comply with installation and conformity declaration as well as CE marking. Standard version with UL approval.

#### **Nominal Data:**

Voltage [U]

400 D V

Frequency [f]

50 Hz

Input power [P]

4,35 kW

Current [I]

7,1 A

Speed [n]

1090 r/min

Medium temperature [tR]

40 °C

Protection Mode

IP 10

Weight [m]

57 kg

Dimensions [L / W / H]

573 mm / 448 mm / 514 mm

#### **Contact:**

Rosenberg Ventilatoren GmbH

Maybachstraße 1

D - 74653 Künzelsau - Gaisbach

[www.rosenberg-gmbh.com](http://www.rosenberg-gmbh.com)

#### **Type:**

DRAD 316-4 L.6SA IP10

#### **Article-No.:**

C50-31643



Centrifugal Fan

Type: **DRAD 316-4 L.6SA IP10**

Art.-No.: C50-31643

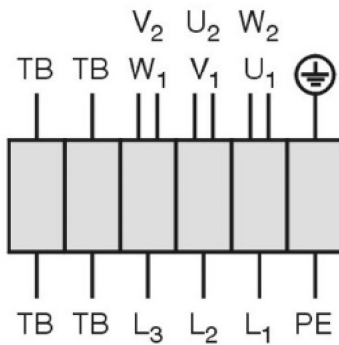


Drehstrommotor in  $\Delta$ -Schaltung mit Thermostatschalter (TB).  
Drehrichtungsänderung durch Vertauschen von 2 Phasen.

**Three phase motor in delta connection with thermostatic switch (TB). Changing of rotation direction by interchanging of 2 phases.**

**Moteur triphasé branché en triangle avec interrupteur thermostatique (TB). Changement de sens de rotation par inversion de deux phases.**

TK3-20004



U <sub>1</sub>	braun / brown / brun
V <sub>1</sub>	blau / blue / bleu
W <sub>1</sub>	schwarz / black / noir
U <sub>2</sub>	rot / red / rouge
V <sub>2</sub>	grau / grey / gris
W <sub>2</sub>	orange / orange / orange
TB	weiß / white / blanc
PE	gelb-grün yellow-green jaune-vert

01.006