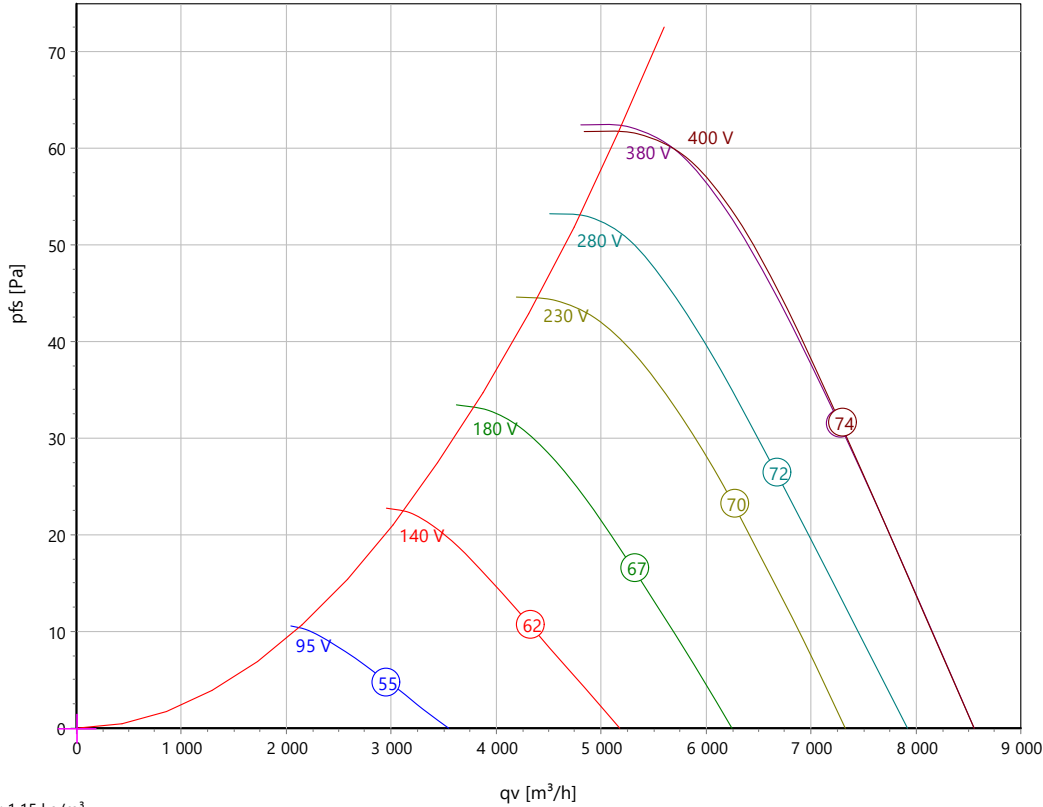




Axial Fan
Type: **DR 560-6 Ex**
Art.-No.: E10-56075



Curve:



Operating Point:

q _v	0	m ³ /h
p _{fs}	0	Pa
p _{fd}	0	Pa
η _{e,fs}	0	%
P _e	0	kW
n	0	U/min
I	0	A
L _{WA A,in}	0	dB(A)
U	0	V

p: 1,15 kg/m³

Intersections:

Curve	q _v [m ³ /h]	p _{fs} [Pa]	P _e [kW]	I [A]	n _N [r/min]	L _{WA A,in} [dBA]
95 V	422,6	14	0,074	0,53	359	53
140 V	629,2	31	0,142	0,67	525	62
180 V	791,3	49	0,2	0,73	638	66
230 V	936,5	68	0,257	0,74	764	70
280 V	1039	83	0,294	0,73	832	72
380 V	1122	97	0,353	0,78	906	74
400 V	1136	100	0,369	0,82	914	74

Nominal Data:

U [V]	f [Hz]	C [μF]	P _e [kW]	I _N [A]	n _N [r/min]	t _r [°C]	k ₁₀ [m ² /h]	I _A / I _N	IP	m [kg]
400 D	50	-	0,34	0,8	920	40	-	3,5	IP 44	-

Sound Data:

Frequency	Σ	125Hz	250Hz	500Hz	1KHz	2KHz	4KHz	8KHz	Distances	1 m	4 m
L _{wA(A,in)} [dB(A)]		-20	-8	-7	-7	-5	-10	-18	L _{pA(A,in)} [dB(A)]	-7	-17



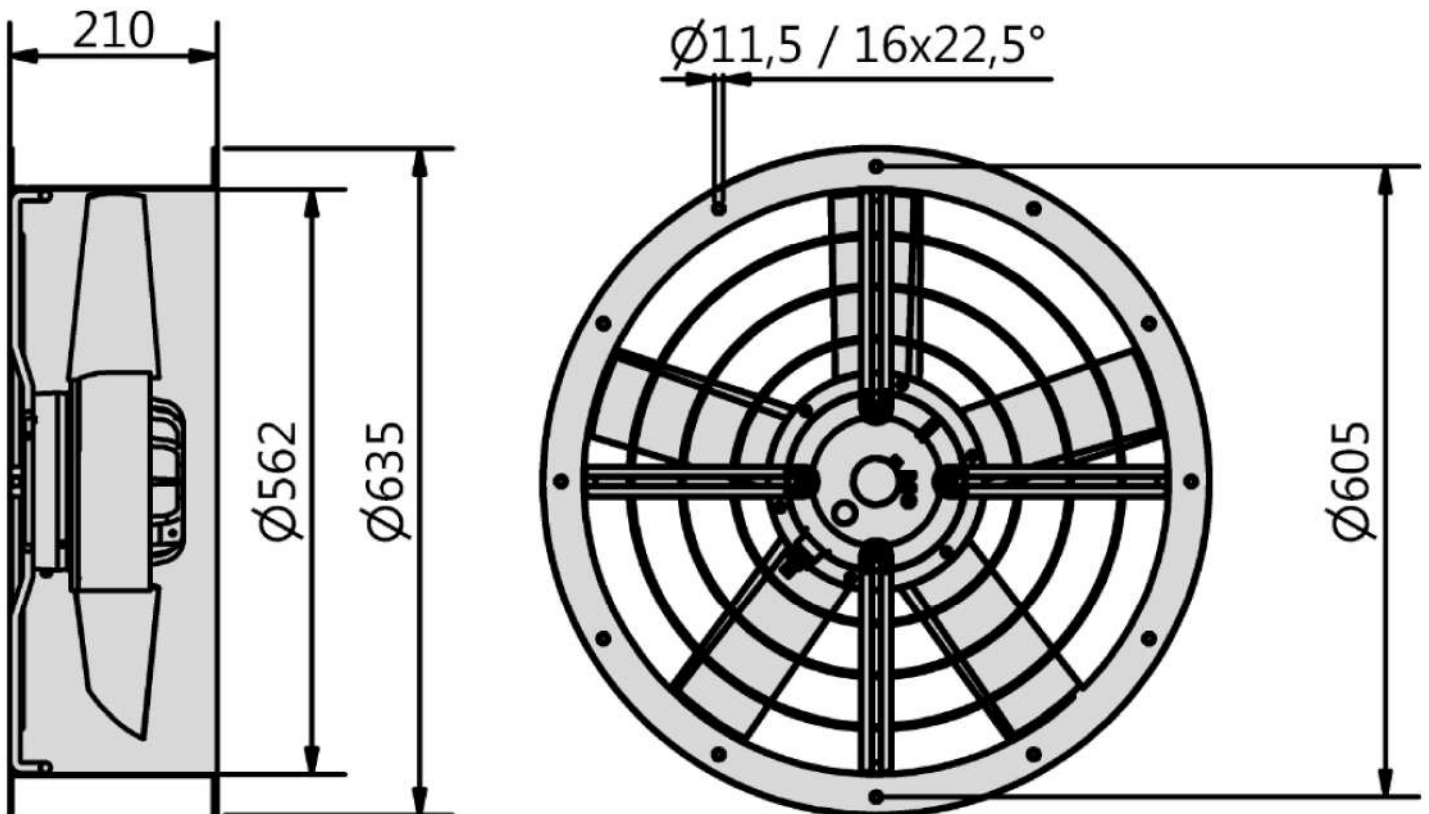
Axial Fan

Type: **DR 560-6 Ex**

Art.-No.: E10-56075



Förderrichtung / Air Direction "A"



Axial fan (explosion proof)

Equipment category 3 - Zone 2

Blade made of plastic. Casing made from galvanized and plastic-coated steel, short cased with two flanges. Mounting either with horizontal or vertical motor shaft. Voltage controllable explosion proof AC external rotor motor. Protection class IP44. Maintenance free ball bearings, closed on both sides with long-term lubrication. Motor coated black and/or die casted aluminum. Standard configuration with cable. Positive Temperature Coefficient (PTC) thermistors in accordance to DIN 44082 are inlaid into the motor windings. To function as a protective motor switch, the PTC resistors must be connected to a triggering device with the identification Ex II(2)G. Isolation Class F. Ignition protection Ex e or Ex nA. Motorized Impeller statically and dynamically balanced according to DIN ISO 21940-11 at least with quality level G6.3.

Fan complies with the guidelines required (Machinery-, Atex- and EMC Directive) to comply with installation and conformity declaration as well as CE marking.

Those fans are designed and manufactured to be operated in vaporous explosive atmosphere. They are marked in accordance with the Atex directive 2014/34/EU: **Ex II 3G c IIB T3 X**

Operating Point Data:

Airflow [qv]

0 m³/h

ext. Pressure [pfs]

0 Pa

Input power [Pe]

0 kW

Current [I]

0 A

Speed [n]

0 r/min

Sound power level [LwA (A,in)]

0 Lw(A)

Nominal Data:

Voltage [U]

400 D V

Frequency [f]

50 Hz

Input power [P]

0,34 kW

Current [I]

0,8 A

Speed [n]

920 r/min

Protection Mode

IP 44

Contact:

Rosenberg Ventilatoren GmbH

Maybachstraße 1

D - 74653 Künzelsau - Gaisbach

Type:

DR 560-6 Ex

Article-No.:

10-56075.7.3
F202



Axial Fan
 Type: **DR 560-6 Ex**
 Art.-No.: E10-56075

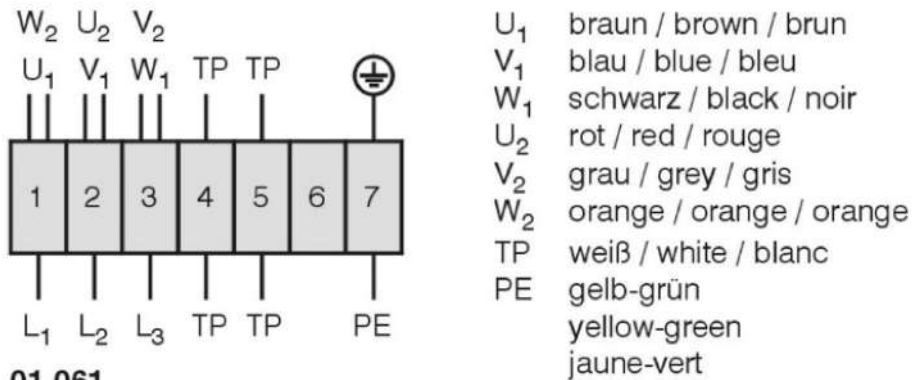


TK3-20066

Drehstrommotor, explosionsgeschützt in Δ -Schaltung mit Temperaturfühler (TP). Drehrichtungsänderung durch Vertauschen von 2 Phasen.

Three phase motor, explosion-proof in delta (Δ) connection with temperature sensor (TP). Changing of rotation direction by interchanging of 2 phases.

Moteur triphasé protégé contre les explosions et branché en delta (Δ) avec sonde de température (TP). Changement de sens de rotation par inversion de deux phases.



01.061