

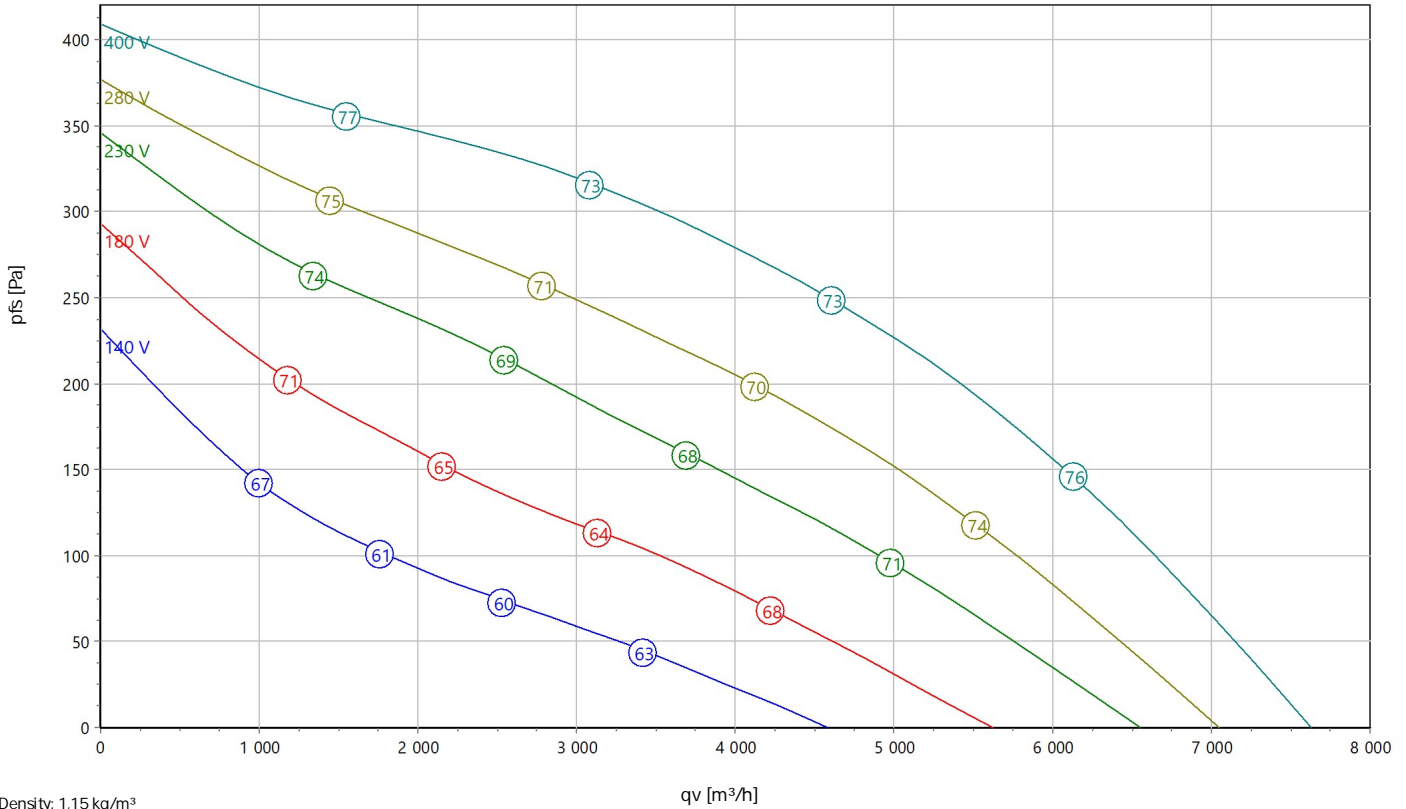
Roof Fan

Type: **DVE 560-6 D.6FA**

Art.-No.: A42-56001



Curve:



ErP-Data:

Type:	Lot6	
qv	4452	m³/h
pfs	267	Pa
ηe.fs	48,8	%
Pe	0,68	kW
n	885	r/min
N	51	
ηe.fs Lot11	50,1	%

Nominal Data:

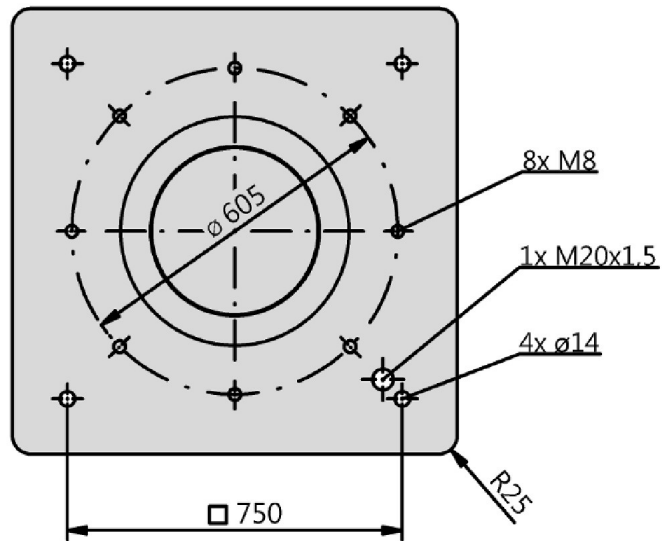
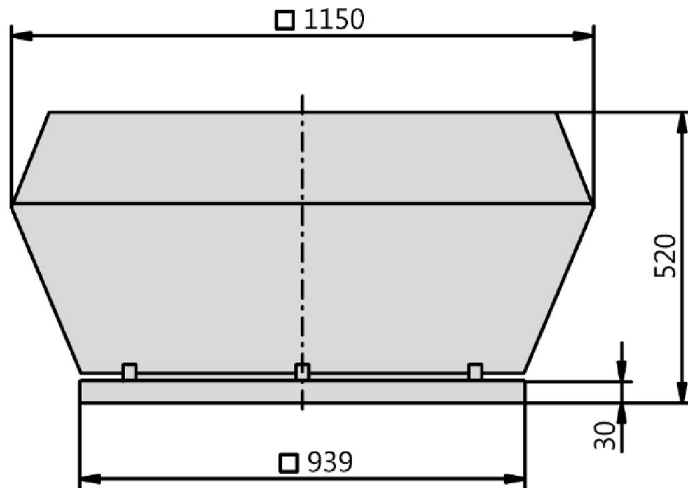
U [V]	f [Hz]	Pe [kW]	In [A]	nN [r/min]	C [µF]	tr [°C]	k10 [m²s/h]	IA / IN	IP	m [kg]
400D	50	0,68	1,55	885	-	50	-	3,3	IP 54	63

Sound Data:

Frequency		125Hz	250Hz	500Hz	1KHz	2KHz	4KHz	8KHz	Distances	1 m	4 m
LwA(A,in) [dB(A)]	-5	-14	-10	-12	-12	-15	-19	-23	LpA(A,in) [dB(A)]	-12	-22
LwA(A,out) [dB(A)]		-8	-7	-7	-5	-10	-19	-26	LpA(A,out) [dB(A)]	-7	-17



Roof Fan
 Type: **DVE 560-6 D.6FA**
 Art.-No.: A42-56001



Roof fan

vertical outlet

Rain protection cover and square housing made of seawater-resistant aluminium. Base frame equipped with threaded bolts for tightening accessories on suction side and a bended inlet cone, manufactured of galvanized sheet metal. Impeller of the E-series (Revolution) made of black, UV-stabilized and long glass fibre reinforced Polypropylene (PP) with 7 backward curved, profiled blades and narrow efficiency optimized circumferential diffusor. Sound and weight optimized. Corrosion resistant and compact design. Air Flow orientated behaviour. Voltage controllable AC external rotor motor. Maintenance free ball bearings, closed on both sides with long-term lubrication. Motor coated black and/or die casted aluminum. Standard configuration with cable. Motor protection is guaranteed by thermal contacts, which are inlaid into the motor windings. These contacts protect the motor from being overloaded through phase failure, too high medium temperature or locked rotor. Isolation Class F. Motorized Impeller statically and dynamically balanced according to DIN ISO 21940-11 at least with quality level G6.3. The electrical connection is mounted on the housing by a terminal box. Air volume control is possible by the use of an frequency converter (max. 50Hz) or a step transformer (accessory).

Fan complies with the guidelines required (Machinery-, EMC- and Low Voltage Directive) to comply with installation and conformity declaration as well as CE marking.

Nominal Data:

Voltage [U]

400 D V

Frequency [f]

50 Hz

Input power [P]

0,68 kW

Current [I]

1,55 A

Speed [n]

885 r/min

Medium temperature [tR]

50 °C

Protection Mode

IP 54

Weight [m]

63 kg

Dimensions [L / W / H]

1150 mm / 1150 mm / 570 mm

Contact:

Rosenberg Ventilatoren GmbH

Maybachstraße 1

D - 74653 Künzelsau - Gaisbach

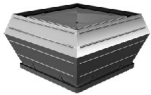
www.rosenberg-gmbh.com

Type:

DVE 560-6 D.6FA

Article-No.:

A42-56001



Roof Fan
 Type: **DVE 560-6 D.6FA**
 Art.-No.: A42-56001

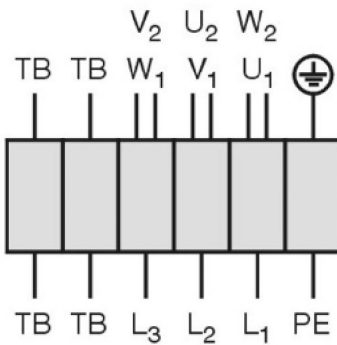


Drehstrommotor in Δ -Schaltung mit Thermostatschalter (TB).
 Drehrichtungsänderung durch Vertauschen von 2 Phasen.

Three phase motor in delta connection with thermostatic switch (TB). Changing of rotation direction by interchanging of 2 phases.

Moteur triphasé branché en triangle avec interrupteur thermostatique (TB). Changement de sens de rotation par inversion de deux phases.

TK3-20004



- U₁ braun / brown / brun
- V₁ blau / blue / bleu
- W₁ schwarz / black / noir
- U₂ rot / red / rouge
- V₂ grau / grey / gris
- W₂ orange / orange / orange
- TB weiß / white / blanc
- PE gelb-grün
yellow-green
jaune-vert

01.006