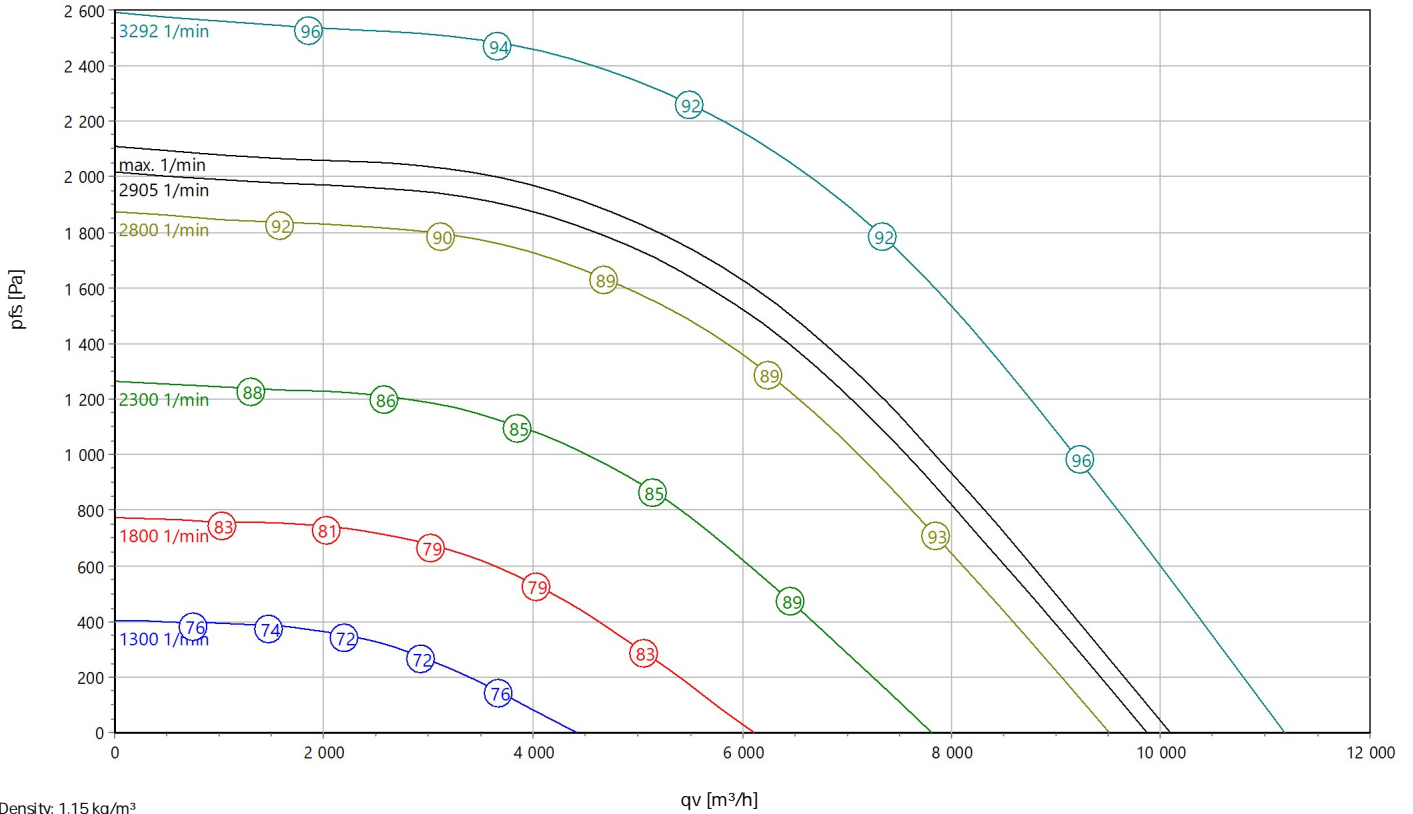




Plug Fan
Type: **DKNB2A11B-400**
Art.-No.: N80-40003



Curve:



Density: 1,15 kg/m³

ErP-Data:

Type:	Lot11	
qv	5199	m³/h
pfs	1702	Pa
η _{ed,fs}	63,6	%
P _{ed}	4,04	kW
n	2905	1/min
N	68	

Technical Data:

U [V]	f [Hz]	P _o [kW]	I _N [A]	n _N [1/min]	C [μF]	t _R [°C]	k ₁₀ [m²s/h]	I _A / I _N	IP	m [kg]
400 / 690	50	4	7,4	2905	-	0	131	-	IP55	-

Motor Data:

Art.-No.	Manufacturer	Size	Number of Poles	Eff.-Rating	Design	Mot.Schutz	[%]	Ø [mm]	m [kg]
MCDU11201010	AC	112	2	IE3	B3	KL	88,1	28	30,2

Sound:

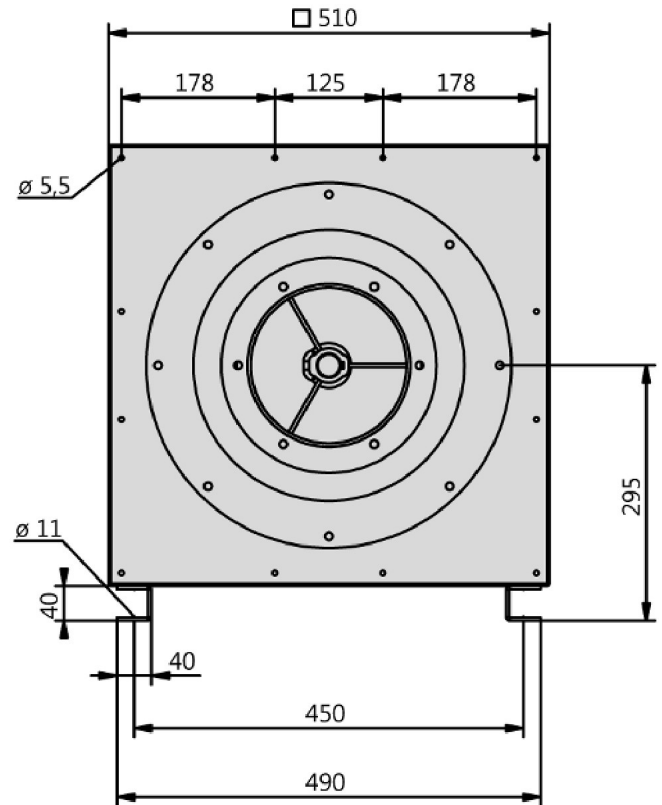
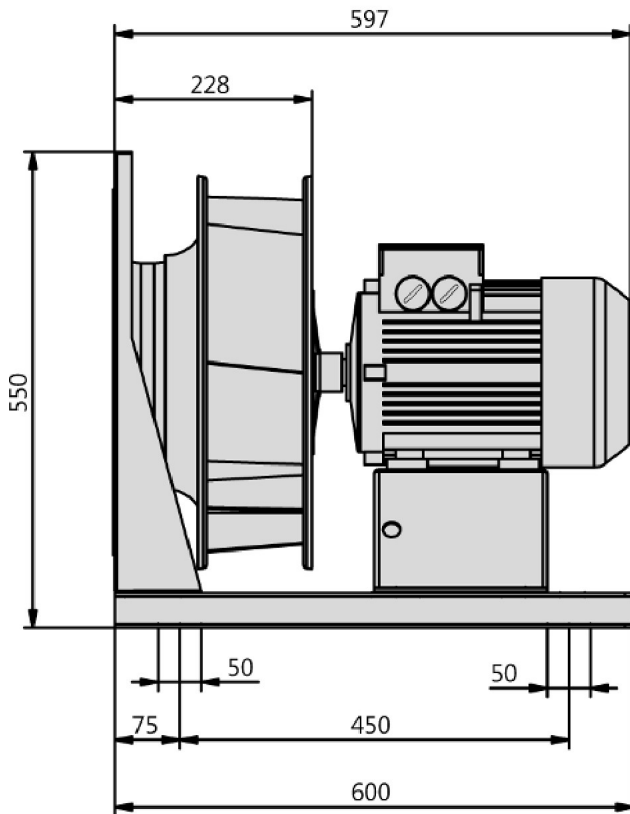
Frequency		63Hz	125Hz	250Hz	500Hz	1KHz	2KHz	4KHz	8KHz	Entfernung	1 m	4 m
LwA(A,in) [dB(A)]	-5	-37	-31	-12	-11	-11	-13	-14	-23	LpA(A,in) [dB(A)]	-12	-22
LwA(A,out) [dB(A)]		-36	-26	-7	-6	-5	-9	-10	-20	LpA(A,out) [dB(A)]	-7	-17



Plug Fan

Type: **DKNB2A11B-400**

Art.-No.: N80-40003



AC-Centrifugal Fan

with IEC motor and backward curved impeller

Impeller made of aluminum (AlMg3) with 7 backward curved blades and efficiency optimized circumferential diffuser. Sound optimized. Pressure orientated behaviour. Fluidic optimized inlet cone made of galvanized sheet metal. Available with and without Air Flow measuring equipment. Air Flow measuring equipment by circular pressure connections. Stable Fan Module with mounting stand. Vibration Damper mounting and flexible inlet connection possible. Mounting with horizontal motor shaft. Motorized Impeller statically and dynamically balanced according to DIN ISO 21940-11 at least with quality level G6.3. Tender Text of the motor added below.

Fan complies with the guidelines required (Machinery-, EMC- and Low Voltage Directive) to comply with installation and conformity declaration as well as CE marking.

Nominal Data:

Voltage [U]

400 / 690 V

Frequency [f]

50 Hz

Shaft power [P₀]

4 kW

Current [I]

7,4 A

Speed [n]

2905 1/min

Protection Mode

IP55

K-Factor

131

Contact:

Rosenberg Ventilatoren GmbH

Maybachstraße 1

D - 74653 Künzelsau - Gaisbach

www.rosenberg-gmbh.com

Type:

DKNB2A11B-400

Article-No.:

N80-40003

IEC Motor

Efficiency class IE3

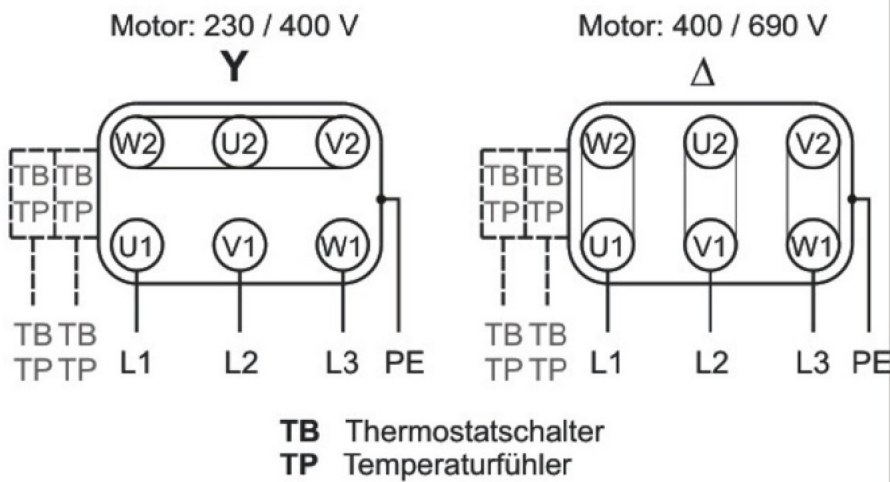
IEC motor according to EN 60034 (IEC 60072). Meets efficiency class IE3. Applicable for use with Variable Frequency Drive (VFD). Positive Temperature Coefficient (PTC) thermistor standard. Protection class IP55. 50/60Hz operation possible. Isolation class F.



Plug Fan
 Type: **DKNB2A11B-400**
 Art.-No.: N80-40003



Anschluss für eintourige Normmotoren an das 3~400 Volt Netz.
 Die Verschaltungsart Y (Stern) oder Δ (Dreieck) sind den
 Spannungsangaben auf dem Motortypenschild zu entnehmen.
 Motorschutz durch externen Motorschutzschalter oder, wenn
 vorhanden, durch Thermostatschalter (TB) oder
 Temperaturfühler (TP).



01.400