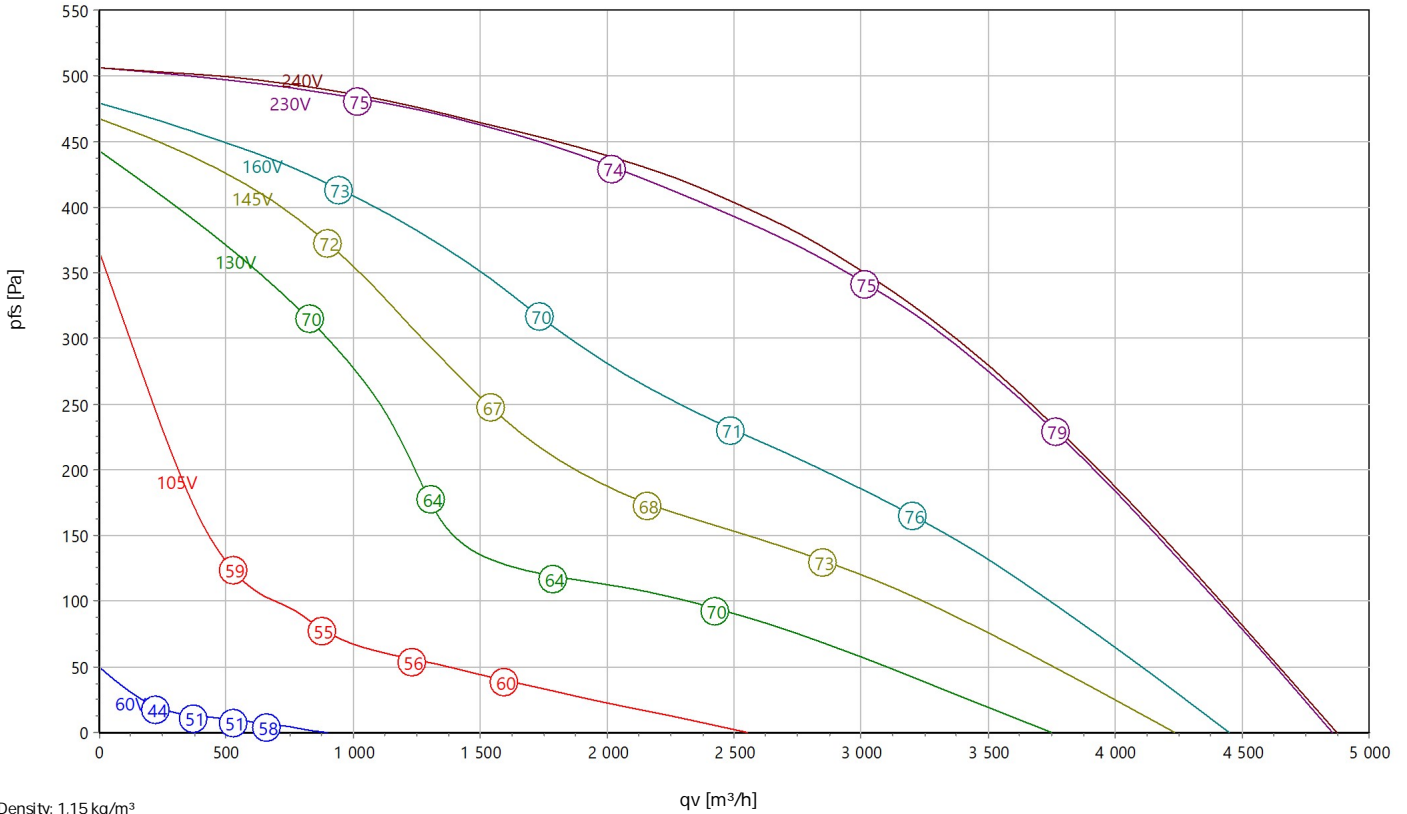




Plug Fan
Type: **EKHR 400-4_B.125.5HA**
Art.-No.: N63-40301



Curve:



ErP-Data:

Type:	Lot11	
q _v	3007	m ³ /h
p _{fs}	364	Pa
η _{e,fs}	49,5	%
P _e	0,62	kW
n	1375	r/min
N	62	

Nominal Data:

U [V]	f [Hz]	P _e [kW]	I _N [A]	n _N [r/min]	C [μF]	t _R [°C]	k ₁₀ [m ² /h]	I _A / I _N	IP	I	m [kg]
230	50	0,62	2,9	1375	12	45	-	2,7	IP 54	33 %	11

Sound Data:

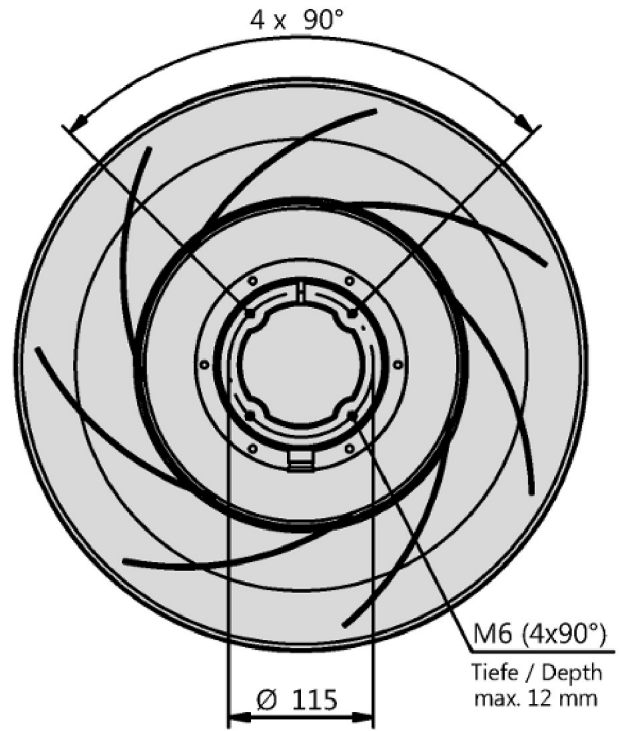
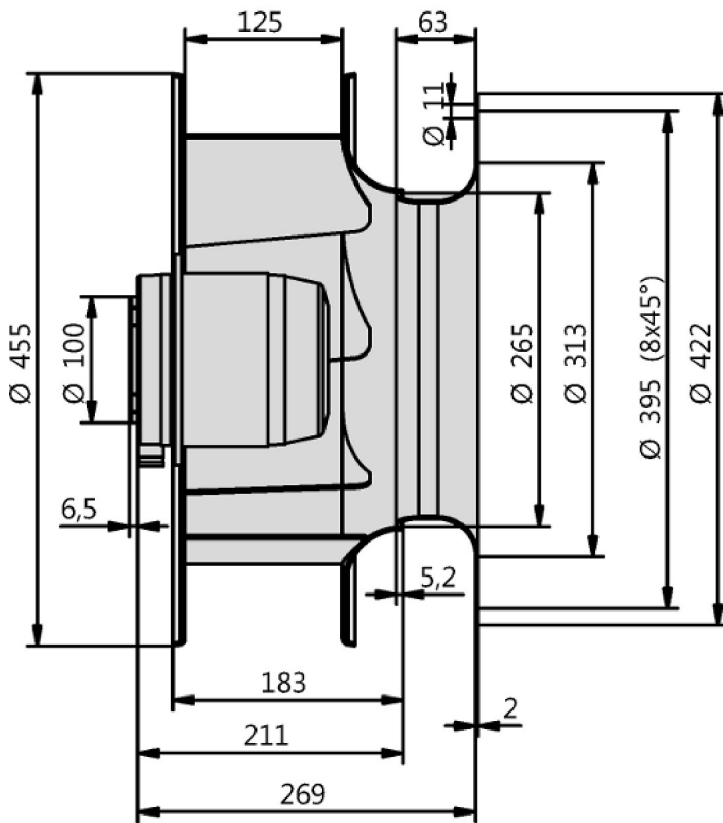
Frequency		125Hz	250Hz	500Hz	1KHz	2KHz	4KHz	8KHz	Distances	1 m	4 m
LwA(A,in) [dB(A)]	-6	-16	-14	-13	-12	-13	-17	-25	LpA(A,in) [dB(A)]	-13	-23
LwA(A,out) [dB(A)]		-11	-9	-7	-5	-7	-12	-18	LpA(A,out) [dB(A)]	-7	-17



Plug Fan

Type: **EKHR 400-4_B.125.5HA**

Art.-No.: N63-40301



AC-Plug Fan

with backward curved impeller

Impeller made of aluminum (AlMg3) with 7 backward curved blades and efficiency optimized circumferential diffuser. Sound optimized. Pressure orientated behaviour. Fluidic optimized inlet cone made of galvanized sheet metal. Available with and without Air Flow measuring equipment. Air Flow measuring equipment by circular pressure connections. Motorized Impeller, includes motor and impeller. Fitting fluidic optimized cone available. Mounting either with horizontal or vertical motor shaft. Motorized Impeller statically and dynamically balanced according to DIN ISO 21940-11 at least with quality level G6.3. Voltage controllable AC external rotor motor. Maintenance free ball bearings, closed on both sides with long-term lubrication. Motor coated black and/or die casted aluminum. Standard configuration with cable. Motor protection is guaranteed by thermal contacts, which are inlaid into the motor windings. These contacts protect the motor from being overloaded through phase failure, too high medium temperature or locked rotor. Isolation Class F.

Fan complies with the guidelines required (Machinery-, EMC- and Low Voltage Directive) to comply with installation and conformity declaration as well as CE marking. UL approval available on request.

Nominal Data:

Voltage [U]

230 V

Frequency [f]

50 Hz

Input power [P]

0,62 kW

Current [I]

2,9 A

Speed [n]

1375 r/min

Medium temperature [tR]

45 °C

Protection Mode

IP 54

Weight [m]

11 kg

Contact:

Rosenberg Ventilatoren GmbH
Maybachstraße 1
D - 74653 Künzelsau - Gaisbach
www.rosenberg-gmbh.com

Type:

EKHR 400-4_B.125.5HA

Article-No.:

N63-40301



Plug Fan
 Type: **EKHR 400-4_B.125.5HA**
 Art.-No.: N63-40301

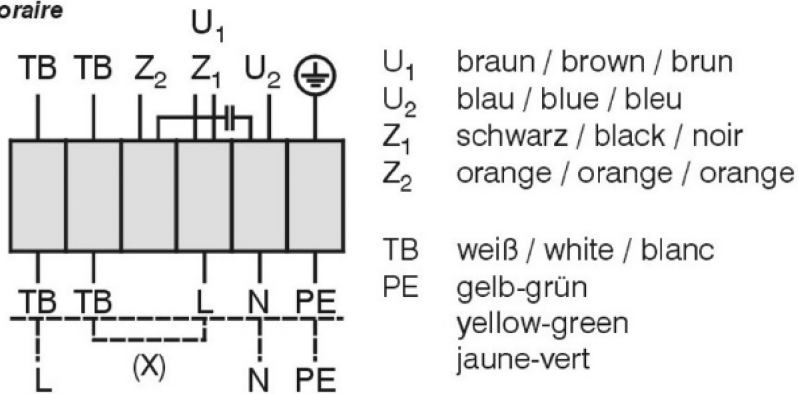


Einphasenwechselstrommotor mit Betriebskondensator und Thermostatschalter.
 Bei Verwendung von RE Steuergeräten TB mit der Wicklung in Reihe schalten.
 Hierfür Brücke (x) einlegen und gestrichelt gezeichnete Anschlüsse belegen.

Single phase A.C. motor with operating capacitor and thermostatic switch.
Thermostatic switch wired in series with windings if RE controllers are used.
Insert bridge (x) and wire connections shown as dash-line on the drawing.

Moteur monophasé avec condensateur permanent et interrupteur thermo-
statique branché en série avec le bobinage en cas de branchement avec des
régulateurs RE. Mettre un pont (x) et brancher toutes les connexions
dessinées en hachuré.

Rechtslauf
 clockwise
 rotation horaire



01.024

TK3-20010