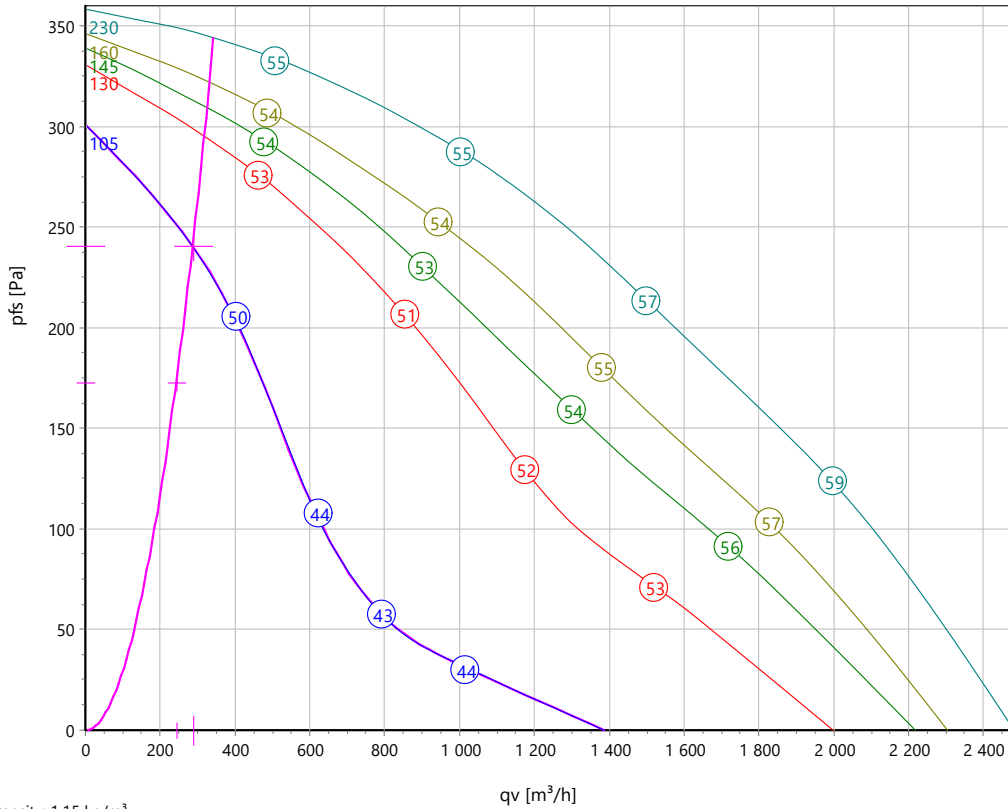




Tube Fan
Type: **Z 355.5FA R1**
Art.-No.: F05-35513



Curve:



Density: 1,15 kg/m³

Intersections:

Curve	qv [m³/h]	p _{fs} [Pa]	P _e [kW]	I [A]	n _N [r/min]	L _{WA D,in} [dBA]
105	287	241	0,122	1,2	1213	51
130	318	296	0,13	1	1346	53
145	326	310	0,136	1	1378	54
160	332	323	0,143	0,98	1404	54
230	343	345	0,186	1	1453	55

Nominal Data:

U [V]	f [Hz]	P _e [kW]	I _N [A]	n _N [r/min]	C [μF]	t _R [°C]	k ₁₀ [m²s/h]	I _A / I _N	IP	m [kg]	ΔI
1~230	50	0,29	1,4	1410	6	60	-	3,3	IP 44	26	39 %

Sound Data:

Frequency	Σ	125Hz	250Hz	500Hz	1KHz	2KHz	4KHz	8KHz	Distances	1 m	4 m
L _{wA(D,in)} [dB(A)]	51	48	45	40	40	38	34	29	L _{pA(D,in)} [dB(A)]	44	34
L _{wA(D,out)} [dB(A)]	56	50	50	49	48	46	41	34	L _{pA(D,out)} [dB(A)]	49	39
L _{wA(D,cas)} [dB(A)]	45	42	41	32	30	20	16	14	L _{pA(D,cas)} [dB(A)]	38	28

ErP-Data:

Type:	Lot6	
q _v	1217	m³/h
p _{fs}	272	Pa
η _{e,fs}	33,9	%
P _e	0,27	kW
n	1420	r/min
N	42	
η _{e,fs} Lot11	40,2	%

Operating Point:

q _v	287	m³/h
p _{fs}	241	Pa
p _{fd}	1	Pa
η _{e,fs}	16	%
P _e	0,122	kW
n	1213	r/min
I	1,2	A
L _{WA D,in}	51	dB(A)
U	105	V

Set point:

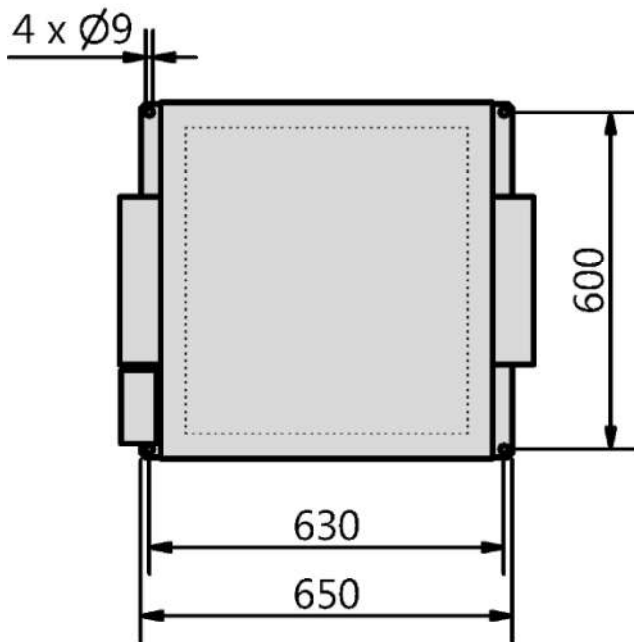
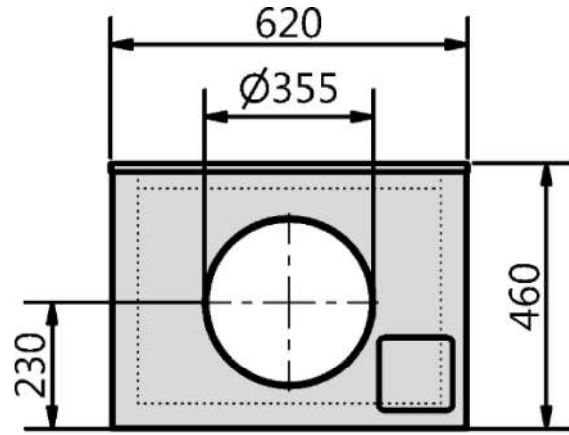
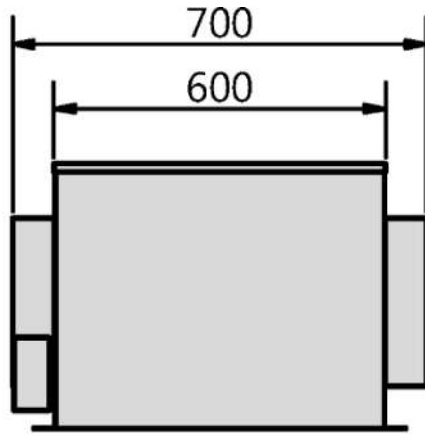
q _v	243	m³/h
p _{fs}	173	Pa



Tube Fan

Type: **Z 355.5FA R1**

Art.-No.: F05-35513



Zerobox "REVOLUTION"

Tube fan with sound-insulated housing

The flat casing made of galvanized sheet steel as sound absorbing construction. The inlaid 40mm thick rockwool plates have a sound attenuating effect. The covering lid can easily be unscrewed to gain access for cleaning and maintenance. The motor is removable together with the impeller and spiral scroll. Inlet and outlet side with duct connection for standard round ducts. Mounting either with horizontal or vertical motor shaft. Impeller of the E-series (Revolution) made of black, UV-stabilized and long glass fibre reinforced Polypropylene (PP) with 7 backward curved, profiled blades and narrow efficiency optimized circumferential diffusor. Sound and weight optimized. Corrosion resistant and compact design. Air Flow orientated behaviour. Voltage controllable AC external rotor motor. Maintenance free ball bearings, closed on both sides with long-term lubrication. Motor coated black and/or die casted aluminum. Standard configuration with cable. Motor protection is guaranteed by thermal contacts, which are inlaid into the motor windings. These contacts protect the motor from being overloaded through phase failure, too high medium temperature or locked rotor. Isolation Class F. Motorized Impeller statically and dynamically balanced according to DIN ISO 21940-11 at least with quality level G6.3. The electrical connection is mounted on the housing by a terminal box. Air volume control: possible by the use of an electronic speed controller or a step transformer (accessory).

Fan complies with the guidelines required (Machinery-, EMC- and Low Voltage Directive) to comply with installation and conformity declaration as well as CE marking.

Operating Point Data:

Airflow [qv]
286,6 m³/h
ext. Pressure [pfs]
240,6 Pa
Input power [Pe]
0,123 kW
Current [I]
1,274 A
Speed [n]
1213 r/min
Sound power level [LwA (D,in)]
51,4 Lw(A)

Nominal Data:

Voltage [U]
1~230 V
Frequency [f]
50 Hz
Input power [P]
0,29 kW
Current [I]
1,4 A
Speed [n]
1410 r/min
Medium temperature [tR]
60 °C
Protection Mode
IP 44
Weight [m]
26 kg
Dimensions [L / W / H]
700 mm / 620 mm / 460 mm

Contact:

Rosenberg Ventilatoren GmbH
Maybachstraße 1
D - 74653 Künzelsau - Gaisbach
www.rosenberg-gmbh.com

Type:

Z 355.5FA R1

Article-No.:

F05-35513



Tube Fan
 Type: **Z 355.5FA R1**
 Art.-No.: F05-35513

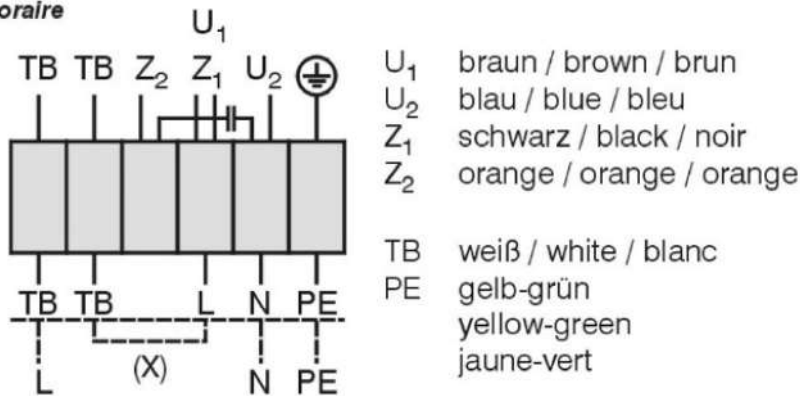


Einphasenwechselstrommotor mit Betriebskondensator und Thermostatschalter.
 Bei Verwendung von RE Steuergeräten TB mit der Wicklung in Reihe schalten.
 Hierfür Brücke (x) einlegen und gestrichelt gezeichnete Anschlüsse belegen.

Single phase A.C. motor with operating capacitor and thermostatic switch.
Thermostatic switch wired in series with windings if RE controllers are used.
Insert bridge (x) and wire connections shown as dash-line on the drawing.

Moteur monophasé avec condensateur permanent et interrupteur thermo-
statique branché en série avec le bobinage en cas de branchement avec des
régulateurs RE. Mettre un pont (x) et brancher toutes les connexions
dessinées en hachuré.

Rechtslauf
 clockwise
 rotation horaire



01.024

TK3-20010