



Friday, 25. November 2016

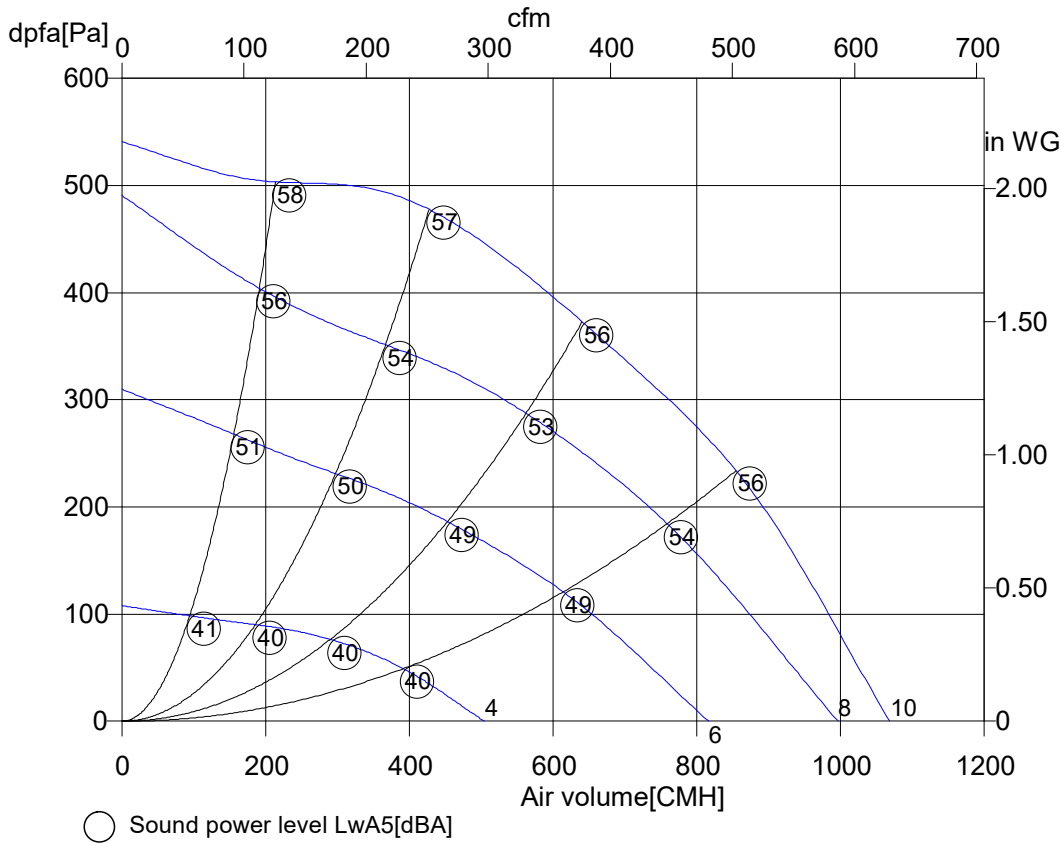


Zerox

E = Evolution

extremely quietly





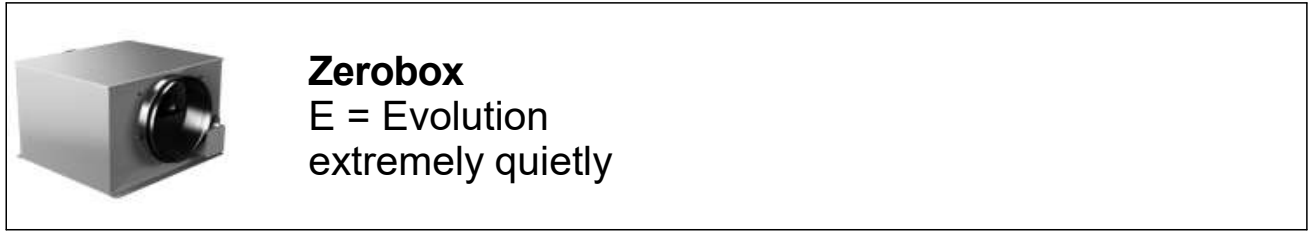
Z 250 E2 G	
Art. No.	F05-25010
U[V]	1~230
f[Hz]	50/60
P[kW]	0.22
I[A]	0.95
n[1/min]	2540
C[μF]	--
tR[°C]	50
dpst[Pa]	--
Delta I[%]	--
Ia/In	--
IP	44
Weight[kG]	17.4
Wir. diag.	01.440
Overall eff [%]	29.9
Eff. Grade N	39
Power input [kW]	0.222
Air flow [m³/h]	612
Press. [Pa]	390
Speed [1/min]	2588
Velocity [m/s]	3.47
Lot11 eff [%]	37.3

Octave sound power level

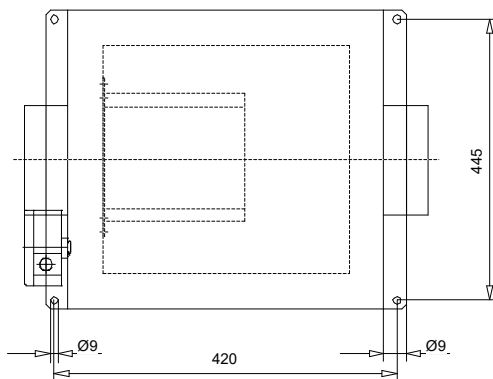
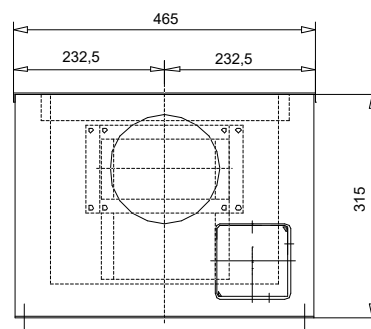
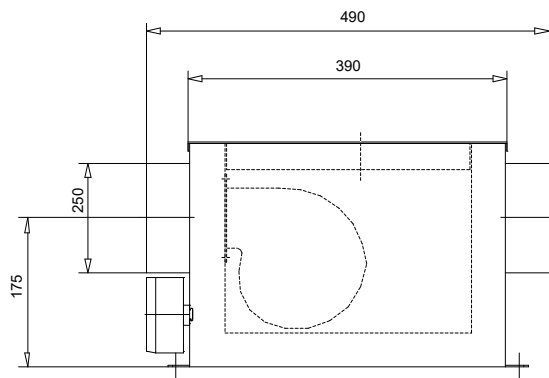
f[Hz]	125	250	500	1000	2000	4000	8000
LwA5[dBA]:	46	47	44	42	42	41	32
LwA6[dBA]:	47	56	60	66	67	62	57
LwA2[dBA]:	44	42	37	35	35	30	23

Hint: Typedata at max. efficiency with pipe

Friday, 25.November 2016



Z 250 E2 G





Friday, 25.November 2016

Pos.	Pieces	Description	Price
		<p>Nominal data</p> <p>Type Z 250 E2 G</p> <p>Article no. F05-25010</p> <p>Voltage[V] 1~230</p> <p>Frequency[Hz] 50/60</p> <p>Power P1[kW] 0.22</p> <p>Current I[A] 0.95</p> <p>Speed n[1/min] 2540</p> <p>Capacitor C[μF] --</p> <p>Max. air temp.tR[°C] 50</p> <p>Min. pressure dpst[Pa] --</p> <p>Delta I[%] --</p> <p>Startup current Ia/In --</p> <p>Protection-mode IP 44</p> <p>Weight[kg] 17.4</p> <p>wiring diagram 01.440</p>	

Friday, 25.November 2016



Zerox
 E = Evolution
 extremely quietly

Z 250 E2 G

