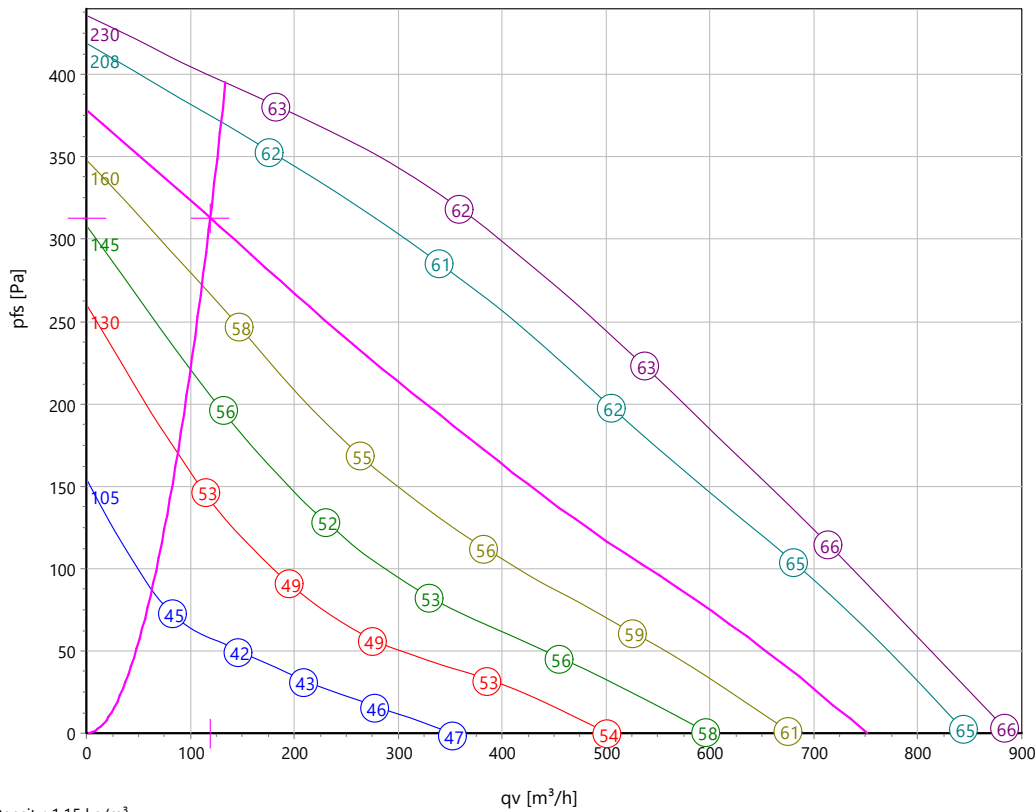




Tube Fan
Type: **Z 200.3DF R1**
Art.-No.: F05-20012



Curve:



Density: 1,15 kg/m³

Intersections:

Curve	qv [m³/h]	p _{fs} [Pa]	P _e [kW]	I [A]	n _N [r/min]	L _{WA D,in} [dBA]
105	62,7	87	0,0382	0,38	1234	46
130	87,7	170	0,0541	0,43	1723	53
145	100	222	0,0624	0,45	1969	56
160	111	273	0,0698	0,46	2181	59
208	130	372	0,0877	0,44	2547	62
230	134	396	0,0952	0,43	2638	63

Nominal Data:

U [V]	f [Hz]	P _e [kW]	I _N [A]	n _N [r/min]	C [μF]	t _R [°C]	k ₁₀ [m²s/h]	I _A / I _N	IP	m [kg]
1~230	50	0,124	0,54	2455	4	70	-	1,8	IP 44	17,5

Sound Data:

Frequency	Σ	125Hz	250Hz	500Hz	1KHz	2KHz	4KHz	8KHz	Distances	1 m	4 m
L _{wA(D,in)} [dB(A)]	60	42	56	52	51	51	51	47	L _{pA(D,in)} [dB(A)]	53	43
L _{wA(D,out)} [dB(A)]	69	43	66	60	60	60	59	52	L _{pA(D,out)} [dB(A)]	62	52
L _{wA(D,cas)} [dB(A)]	49	41	47	41	34	30	24	21	L _{pA(D,cas)} [dB(A)]	42	32

ErP-Data:

Type:	Lot6	
q _v	446	m³/h
p _{fs}	288	Pa
η _{e,fs}	28,9	%
P _e	0,12	kW
n	2462	r/min
N	42	

Operating Point:

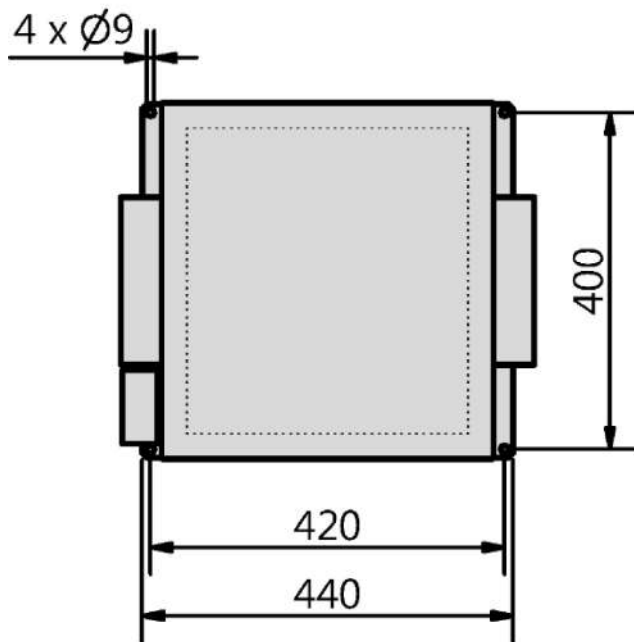
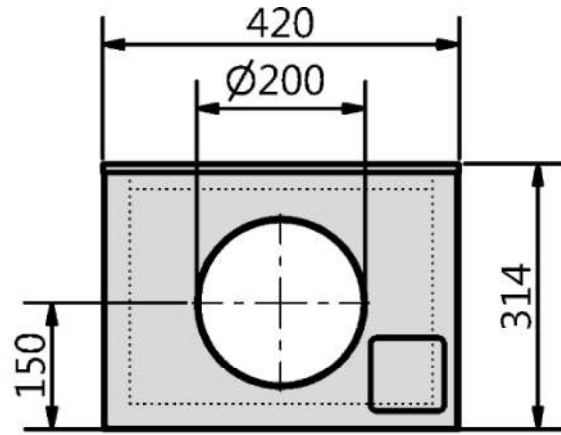
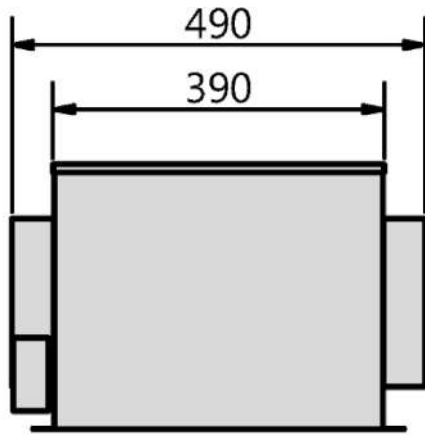
q _v	119	m³/h
p _{fs}	313	Pa
p _{fd}	1	Pa
η _{e,fs}	14	%
P _e	0,0774	kW
n	2339	r/min
I	0,45	A
L _{WA D,in}	60	dB(A)
U	181	V



Tube Fan

Type: **Z 200.3DF R1**

Art.-No.: F05-20012



Zerobox "REVOLUTION"

Tube fan with sound-insulated housing

The flat casing made of galvanized sheet steel as sound absorbing construction. The inlaid 40mm thick rockwool plates have a sound attenuating effect. The covering lid can easily be unscrewed to gain access for cleaning and maintenance. The motor is removable together with the impeller and spiral scroll. Inlet and outlet side with duct connection for standard round ducts. Mounting either with horizontal or vertical motor shaft. Impeller of the E-series (Revolution) made of black, UV-stabilized and long glass fibre reinforced Polypropylene (PP) with 7 backward curved, profiled blades and narrow efficiency optimized circumferential diffusor. Sound and weight optimized. Corrosion resistant and compact design. Air Flow orientated behaviour. Direct driven single phase AC motor with moisture protection. The motors have integrated motor protection (thermal contacts). Maintenance free ball bearings, closed on both sides, with long-term lubrication. Motorized Impeller statically and dynamically balanced according to DIN ISO 21940-11 with quality level G2.5. The electrical connection is mounted on the housing by a terminal box. Air volume control: possible by the use of an electronic speed controller or a step transformer (accessory).

Fan complies with the guidelines required (Machinery-, EMC- and Low Voltage Directive) to comply with installation and conformity declaration as well as CE marking.

Operating Point Data:

Airflow [qv]

119 m³/h

ext. Pressure [pfs]

313 Pa

Input power [Pe]

0,0775 kW

Current [I]

0,4546 A

Speed [n]

2339 r/min

Sound power level [LwA (D,in)]

60,6 Lw(A)

Nominal Data:

Voltage [U]

1~230 V

Frequency [f]

50 Hz

Input power [P]

0,124 kW

Current [I]

0,54 A

Speed [n]

2455 r/min

Medium temperature [tR]

70 °C

Protection Mode

IP 44

Weight [m]

17,5 kg

Dimensions [L / W / H]

490 mm / 420 mm / 314 mm

Contact:

Rosenberg Ventilatoren GmbH
Maybachstraße 1
D - 74653 Künzelsau - Gaisbach
www.rosenberg-gmbh.com

Type:

Z 200.3DF R1

Article-No.:

F05-20012



Tube Fan

Type: **Z 200.3DF R1**

Art.-No.: F05-20012

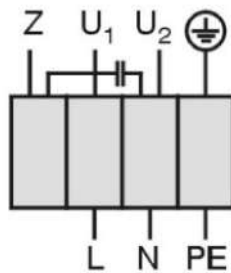


Einphasenwechselstrommotor mit Betriebskondensator und Thermostatschalter.
Thermostatschalter intern mit der Wicklung in Reihe geschaltet.

**Single phase A.C. motor with operating capacitor and thermostatic switch.
Thermostatic switch internal wired in series with windings.**

**Moteur monophasé avec condensateur permanent et interrupteur
thermostatique en série avec le bobinage en cas de branchement**

TK3-20005



U₁ blau / blue / bleu
 U₂ schwarz / black / noir
 Z braun / brown / brun
 PE gelb-grün
 yellow-green
 jaun-vert

01.009