



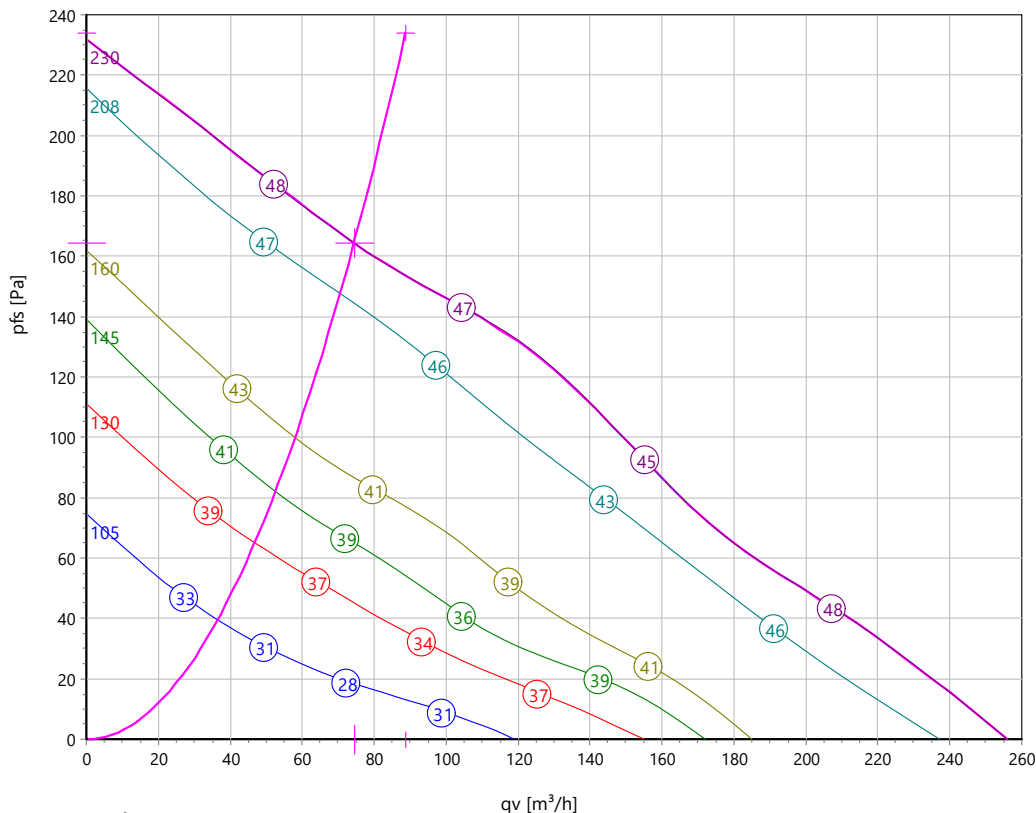
Tube Fan

Type: **Z 125.2CA R1**

Art.-No.: F05-12512



Curve:



Density: 1,15 kg/m³

Operating Point:

qv	74,4	m³/h
p _{fs}	165	Pa
p _{fd}	3	Pa
η _{e,fs}	13	%
P _e	0,0266	kW
n	2174	r/min
I	0,12	A
L _{WA D,in}	47	dB(A)
U	230	V

Set point:

qv	88,7	m³/h
p _{fs}	234	Pa

Intersections:

Curve	qv [m³/h]	p _{fs} [Pa]	P _e [kW]	I [A]	n _N [r/min]	L _{WA D,in} [dBA]
105	36,6	40	0,00766	0,08	1089	32
130	46,8	66	0,0115	0,09	1380	37
145	52,6	83	0,0134	0,1	1544	40
160	58	100	0,0161	0,11	1693	42
208	70,5	148	0,0227	0,12	2062	46
230	74,4	165	0,0265	0,12	2174	47

Nominal Data:

U [V]	f [Hz]	P _e [kW]	I _N [A]	n _N [r/min]	C [μF]	t _R [°C]	k ₁₀ [m²s/h]	I _A / I _N	IP	m [kg]
1~230	50	0,029	0,14	1980	1	70	-	1,1	IP 44	13

Sound Data:

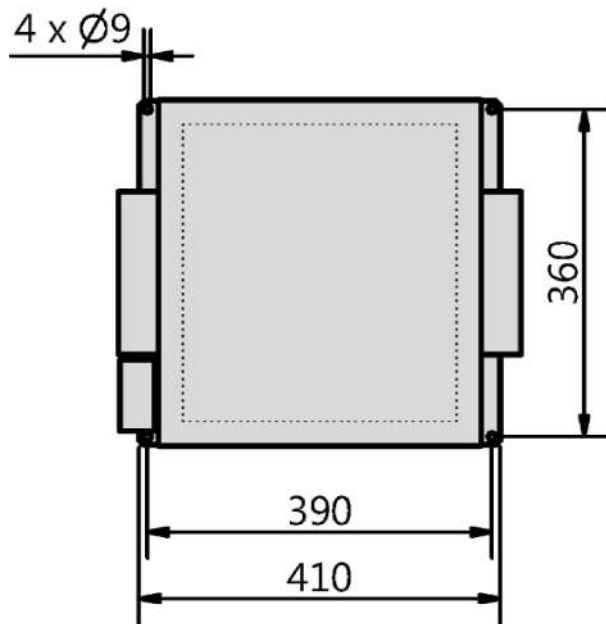
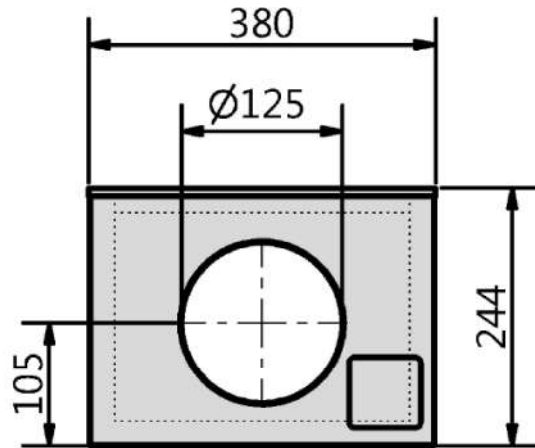
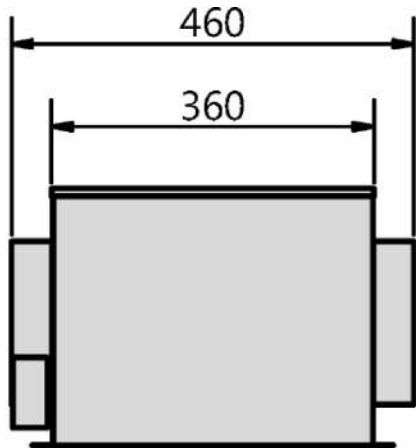
Frequency	Σ	125Hz	250Hz	500Hz	1KHz	2KHz	4KHz	8KHz	Distances	1 m	4 m
L _{WA(D,in)} [dB(A)]	47	35	42	41	39	39	33	26	L _{pA(D,in)} [dB(A)]	40	30
L _{WA(D,out)} [dB(A)]	52	39	44	45	46	46	41	32	L _{pA(D,out)} [dB(A)]	45	35
L _{WA(D,cas)} [dB(A)]	38	29	35	32	24	21	20	19	L _{pA(D,cas)} [dB(A)]	31	21



Tube Fan

Type: **Z 125.2CA R1**

Art.-No.: F05-12512



Zerobox "REVOLUTION"

Tube fan with sound-insulated housing

The flat casing made of galvanized sheet steel as sound absorbing construction. The inlaid 40mm thick rockwool plates have a sound attenuating effect. The covering lid can easily be unscrewed to gain access for cleaning and maintenance. The motor is removable together with the impeller and spiral scroll. Inlet and outlet side with duct connection for standard round ducts. Mounting either with horizontal or vertical motor shaft. Impeller of the E-series (Revolution) made of black, UV-stabilized and long glass fibre reinforced Polypropylene (PP) with 7 backward curved, profiled blades and narrow efficiency optimized circumferential diffusor. Sound and weight optimized. Corrosion resistant and compact design. Air Flow orientated behaviour. Direct driven single phase AC motor with moisture protection. The motors have integrated motor protection (thermal contacts). Maintenance free ball bearings, closed on both sides, with long-term lubrication. Motorized Impeller statically and dynamically balanced according to DIN ISO 21940-11 with quality level G2.5. The electrical connection is mounted on the housing by a terminal box. Air volume control: possible by the use of an electronic speed controller or a step transformer (accessory).

Fan complies with the guidelines required (Machinery-, EMC- and Low Voltage Directive) to comply with installation and conformity declaration as well as CE marking.

Operating Point Data:

Airflow [qv]

74,35 m³/h

ext. Pressure [pfs]

164,4 Pa

Input power [Pe]

0,0266 kW

Current [I]

0,127 A

Speed [n]

2174 r/min

Sound power level [LwA (D,in)]

47,6 Lw(A)

Nominal Data:

Voltage [U]

1~230 V

Frequency [f]

50 Hz

Input power [P]

0,029 kW

Current [I]

0,14 A

Speed [n]

1980 r/min

Medium temperature [tR]

70 °C

Protection Mode

IP 44

Weight [m]

13 kg

Dimensions [L / W / H]

460 mm / 360 mm / 244 mm

Contact:

Rosenberg Ventilatoren GmbH
Maybachstraße 1
D - 74653 Künzelsau - Gaisbach
www.rosenberg-gmbh.com

Type:

Z 125.2CA R1

Article-No.:

F05-12512



Tube Fan

Type: **Z 125.2CA R1**

Art.-No.: F05-12512

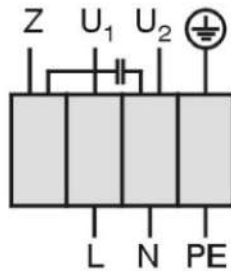


Einphasenwechselstrommotor mit Betriebskondensator und Thermostatschalter.
Thermostatschalter intern mit der Wicklung in Reihe geschaltet.

Single phase A.C. motor with operating capacitor and thermostatic switch.
Thermostatic switch internal wired in series with windings.

*Moteur monophasé avec condensateur permanent et interrupteur
thermostatique en série avec le bobinage en cas de branchement*

TK3-20005



U₁ blau / blue / bleu
 U₂ schwarz / black / noir
 Z braun / brown / brun
 PE gelb-grün
 yellow-green
 jaun-vert

01.009